

# Grande Papilio

ARMCHAIRS

2009

Naoto Fukasawa



## Description

---

Grande Papilio is an armchair that welcomes you gracefully – with the graceful movement of a butterfly, or “papilio” in Latin. Marked by a strong personality fluidly designed around an upside-down truncated cone, the generously large upper section of the backrest and the welcoming and sinuous shape of the seat ensure utmost comfort to the user. The backrest, characterised by a visible zipper that allows the cover to be removed, is designed as two wings that envelop and protect the head, emphasising the feeling of comfort and offering peace and tranquillity. Upholstered in either fabric or leather, Grande Papilio is fitted with a swivelling system and can be complemented by a matching ottoman serving as a footrest, for total relaxation. Grande Papilio is a highly iconic product that has given life to a complete series, inclusive of chairs, small armchairs and a bed.

# Technical information

---

**Internal frame**

tubular steel and steel profiles

**Internal frame upholstery**

Bayfit® flexible cold shaped polyurethane foam, polyester fibre cover

**Swivel base-frame (GPA)**

steel laminate and aluminium extrusion

**Ferrules**

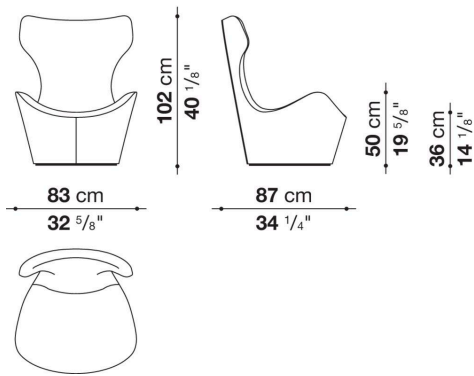
thermoplastic material

**Cover**

fabric or leather in limited categories

# Technical drawings

**GPA**



**GP**

