

## Bluff City

## Pendant - 8 inch

Series  
Bluff City

Materials  
Steel

120V Incandescent Illumination  
Socket: E26

Product  
Pendant - 8 inch

Finishes  
Red/blue, white/black

Bulb: 60 Watt G40  
 Wattage: 60 Watts  
 Lumens: 550 Lumens  
 Color Temperature: 2700 Kelvin  
 Dimming: Triac or ELV

Dimensions  
Dia 8in/21cm x H 10in/25cm

Suspension  
8-foot cord

240V Incandescent Illumination  
Socket: E27

Weight  
3lb/1.3kg

Canopy  
5-inch round in white

Bulb: 60 Watt G40  
 Wattage: 60 Watts  
 Lumens: 550 Lumens  
 Color Temperature: 2700 Kelvin  
 Dimming: Triac or ELV

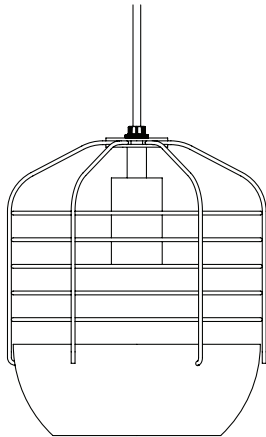
Certifications  
 UL, cUL (120V) CE, CB (240V)  
 UL, cUL, CE, CB (Universal)

LED Alternative  
 Socket: E26/E27  
 Bulb: 6 Watt G40 frosted LED  
 Wattage: 6 Watts  
 Lumens: 480 Lumens  
 Color Temperature: 2700 Kelvin  
 Dimming: ELV

## CONTENTS

---

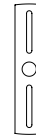
8" Pendant



#8-32 Screws (2)



Crossbar



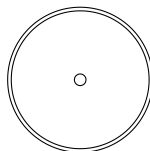
1/8 IPS Nipple



Strain Relief



Canopy with Bushing



## SAFETY INFORMATION

---

Only one light bulb per socket.

Only suitable for direct mounting on non-combustible surfaces.

Under no circumstances can Bluff City Pendants be mounted on normally flammable surfaces.

Suitable for dry, indoor use only.

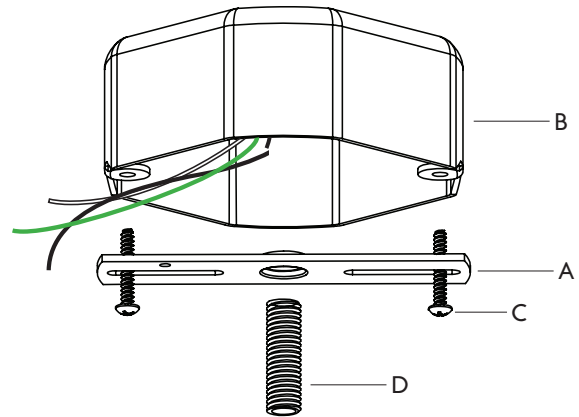
Maximum ambient temperature: 25° C

If the external flexible cable or cord of this luminaire is damaged, it shall be exclusively replaced by Roll & Hill or Roll & Hill's service agent or a similarly qualified person in order to avoid hazard.

## CEILING INSTALLATION

*Note: Please contact a licensed electrician.  
Note: Do not use bulbs that exceed 60 watts.*

1. Install crossbar (A) to junction box (B) using #8-32 screws (C). It is recommended to pull the main wires out so they are accessible while making the main connection later. Once secure, screw the nipple (D) into crossbar.



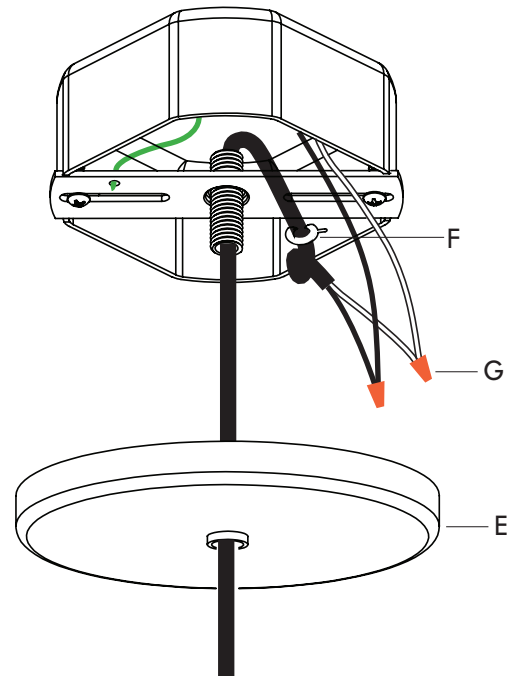
2. Cut the electrical cable to desired length and feed through the bushing in the ceiling canopy (E) and the nipple.

3. Tie a knot in the electrical cable above the crossbar and crimp the C shaped strain relief (F) just below the knot.

4. Strip wires and make connections to the leads in the ceiling using provided wire nuts (G). Attach the green ground wire to the crossbar with ground screw.

5. Tuck the connected wires into the junction box. Raise the canopy and knurled nut to thread onto nipple, tightening the canopy flush to the ceiling.

6. Make sure fixture is powered off and screw the bulb into the socket.



## CEILING INSTALLATION *continued*

---

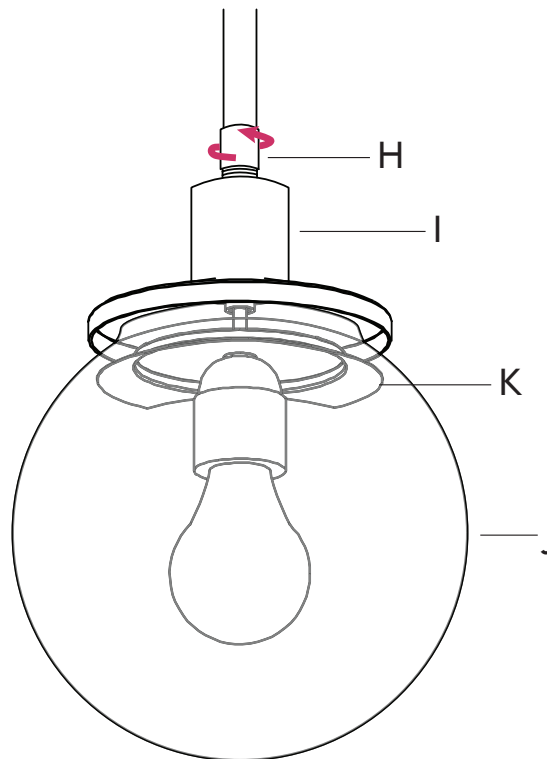
For Bluff City 8 inch only:

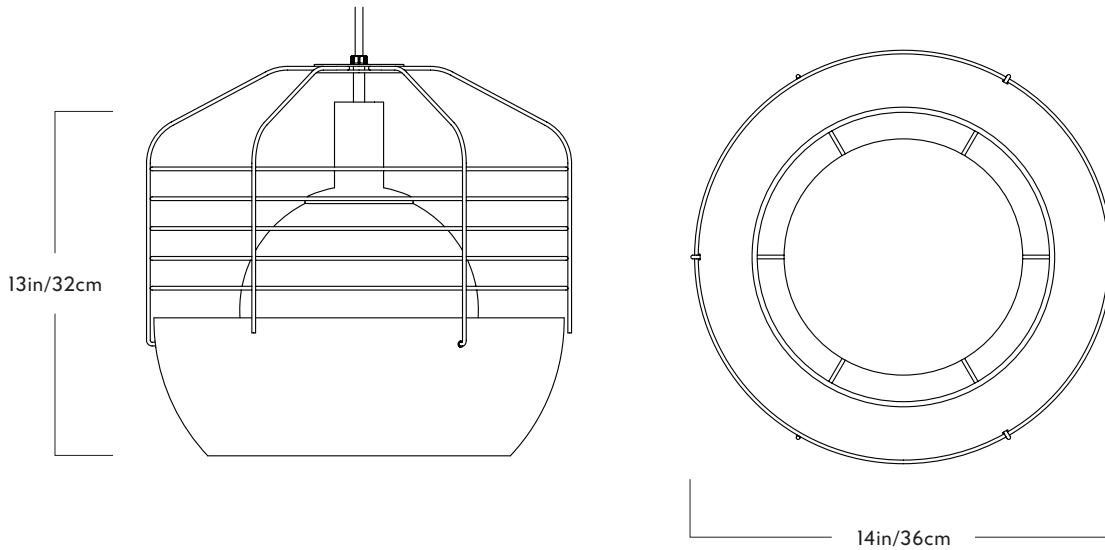
6. Make sure fixture is powered off and screw the bulb into the socket.

---

For Bluff City 14 inch only:

6. Loosen the cover nut (H) above the socket cap (I) by screwing counter-clockwise. This raises the socket cap to allow room to insert the globe (J). Tilt the globe so that it fits around the internal fitter (K) and hangs underneath the socket cap. Gently tighten the cover nut to hold the globe in place.





## Bluff City

## Pendant - 14 inch

Series  
Bluff City

Materials  
Steel, aluminum, glass

### 120V Incandescent Illumination

Socket: E26  
 Bulb: 60 Watt A19  
 Wattage: 60 Watts  
 Lumens: 550 Lumens  
 Color Temperature: 2700 Kelvin  
 Dimming: Triac or ELV

Product  
Pendant - 14 inch

Finishes  
Mint/red, cream/brown, white/brass

### 240V Incandescent Illumination

Socket: E27  
 Bulb: 60 Watt A19  
 Wattage: 60 Watts  
 Lumens: 550 Lumens  
 Color Temperature: 2700 Kelvin  
 Dimming: Triac or ELV

Dimensions  
Dia 14in/36cm x H 13in/32cm

Suspension  
8-foot cord

Weight  
4lb/1.8kg

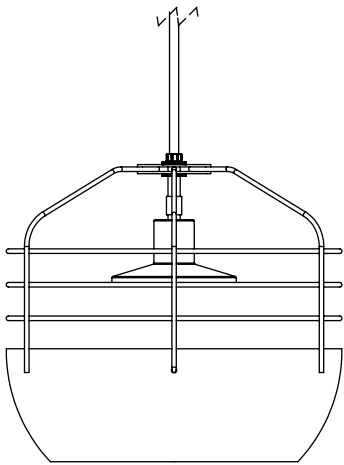


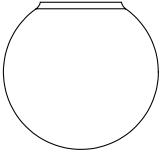

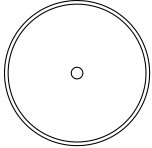

Canopy  
5-inch round in white

Certifications  
UL, cUL (120V) CE, CB (240V)  
UL, cUL, CE, CB (Universal)

### LED Alternative

Socket: E26/E27  
 Bulb: 6 Watt A19 frosted LED  
 Wattage: 6 Watts  
 Lumens: 480 Lumens  
 Color Temperature: 2700 Kelvin  
 Dimming: ELV

## CONTENTS

<p>14" Pendant</p> 	<p>#8-32 Screws (2)</p> 	<p>Crossbar</p> 	
<p>Globe</p> 	<p>1/8 IPS Nipple</p> 	<p>Canopy with Bushing</p> 	<p>Strain Relief</p> 

## SAFETY INFORMATION

Only one light bulb per socket.

Only suitable for direct mounting on non-combustible surfaces.

Under no circumstances can Bluff City Pendants be mounted on normally flammable surfaces.

Suitable for dry, indoor use only.

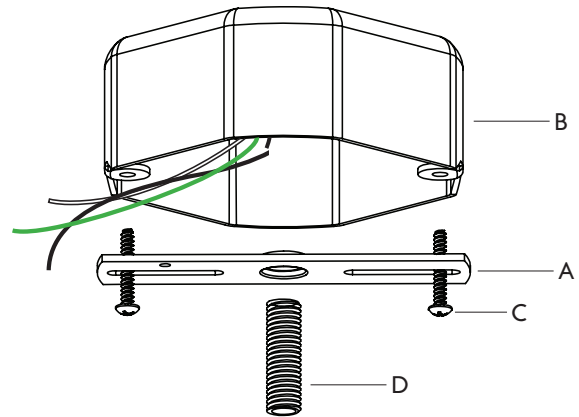
Maximum ambient temperature: 25° C

If the external flexible cable or cord of this luminaire is damaged, it shall be exclusively replaced by Roll & Hill or Roll & Hill's service agent or a similarly qualified person in order to avoid hazard.

## CEILING INSTALLATION

*Note: Please contact a licensed electrician.  
Note: Do not use bulbs that exceed 60 watts.*

1. Install crossbar (A) to junction box (B) using #8-32 screws (C). It is recommended to pull the main wires out so they are accessible while making the main connection later. Once secure, screw the nipple (D) into crossbar.



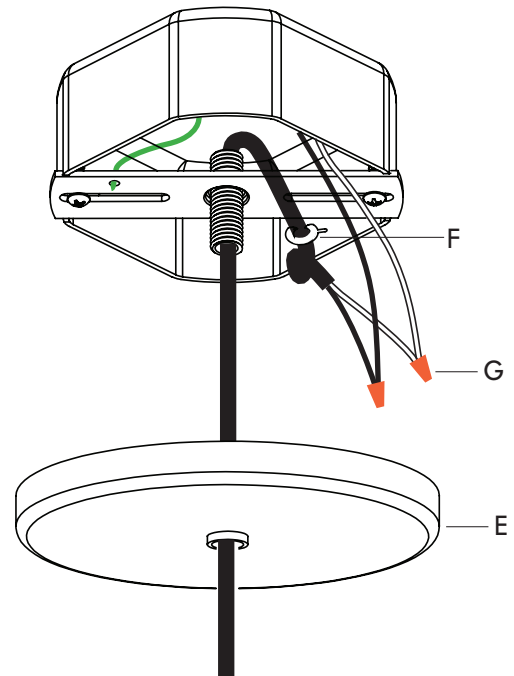
2. Cut the electrical cable to desired length and feed through the bushing in the ceiling canopy (E) and the nipple.

3. Tie a knot in the electrical cable above the crossbar and crimp the C shaped strain relief (F) just below the knot.

4. Strip wires and make connections to the leads in the ceiling using provided wire nuts (G). Attach the green ground wire to the crossbar with ground screw.

5. Tuck the connected wires into the junction box. Raise the canopy and knurled nut to thread onto nipple, tightening the canopy flush to the ceiling.

6. Make sure fixture is powered off and screw the bulb into the socket.



## CEILING INSTALLATION *continued*

---

For Bluff City 8 inch only:

6. Make sure fixture is powered off and screw the bulb into the socket.

---

For Bluff City 14 inch only:

6. Loosen the cover nut (H) above the socket cap (I) by screwing counter-clockwise. This raises the socket cap to allow room to insert the globe (J). Tilt the globe so that it fits around the internal fitter (K) and hangs underneath the socket cap. Gently tighten the cover nut to hold the globe in place.

