

# UNTITLED READING LINEAR

*Bernhard Osann*

Family of table, floor and wall LED lamps in extruded matt black painted aluminum with joints for flexible and dynamic positioning of the light.

Available in the version with the linear lighting unit in polymer filled with glass fibers that rotates on itself and in the version with cylindrical spot light in aluminum. Dimmer on board located on the lamp stem.



# 2700K

---

## LAMPING

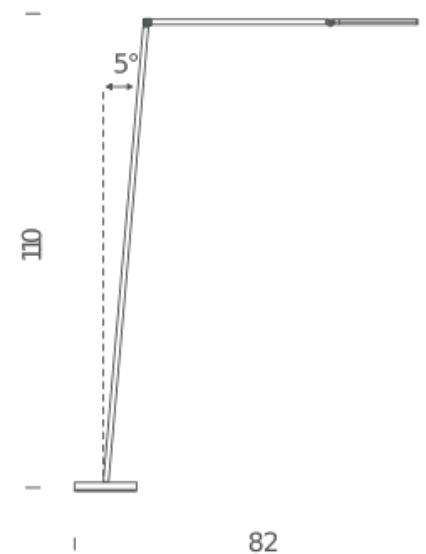
Source	LED board
Total power	7W
Emission	orientable
Switching	dimnable, on board 24V DC
Tension	110/240V
Color temperature	2700K
Luminous flux	485lm (luminous output)
Typ cri	90
Energy class	A+
Notes	cabale length 2m

## Codes

UNT LNN 23

## Structure

black



3000K

---

**LAMPING**

Source	LED board
Total power	7W
Emission	orientable
Switching	dimnable, on board 24V DC
Tension	110/240V
Color temperature	3000K
Luminous flux	485lm (luminous output)
Typ cri	90
Energy class	A+
Notes	cable length 2m

**Codes**

UNT LNN 24

**Structure**

black

