

STEEL PIPE DRINK TROLLEY

Shiro Kuramata

cappellini



Serving trolley on castors. Iron structure finished in black lacquer, with white laminate shelves. Based on the original prototype dating back to 1968.

Materials used_

Structure:

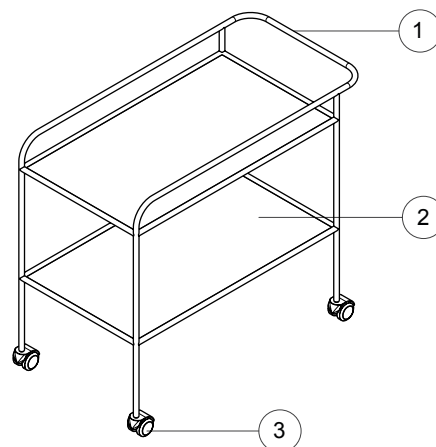
1. Matt black epoxy powder painted iron tube

Shelves:

2. White thick laminate

Caster:

3. Matt black carter, grey plastic caster available for semisoft surfaces



Dimensions_

PC_21



69,5
27 1/4"

82
32 1/4"

41,5
16 1/4"

