

## PRODUCT DATA SHEET

### Teti White



**DESIGN BY:**

Vico Magistretti  
1970

**MATERIALS:**

Polycarbonate

**DESCRIPTION:**

Packaged individually. It is possible to create multiple configurations.

SELECT

EXTRA HALO / LED

White

PRODUCT CODE

A048120

Light emission



IP20

Dimmable

TECHNICAL DATA SHEET

**FEATURES**

Product name: Teti White  
Article Code: A048120  
Colour: White  
Material: Polycarbonate  
Series: Design  
Environment: Indoor  
Area contract: Private Residence

**OPTICS**

Emission: Direct

**DIMENSIONS**

Width: cm 7  
Diameter: cm 14

**LAMPS NOT INCLUDED**

Category: HALO  
Number: 1  
Watt: 30W  
Socket: E27  
Colour temperature (K): 2800K

**ALTERNATIVE LAMPS**

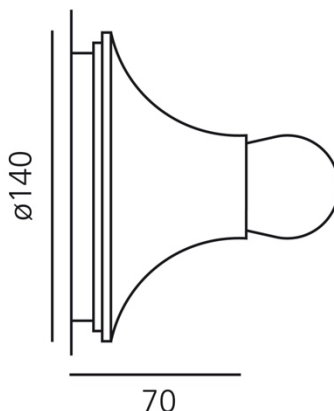
**LED retrofit**

Category: LED  
Watt: 6W  
Luminous Flux (lm): 470lm  
Socket: E27  
Class: A

**LUMINAIR**

Watt: 30W  
Voltage: 220V-240V

**DIMENSIONS**



**COLOUR**



