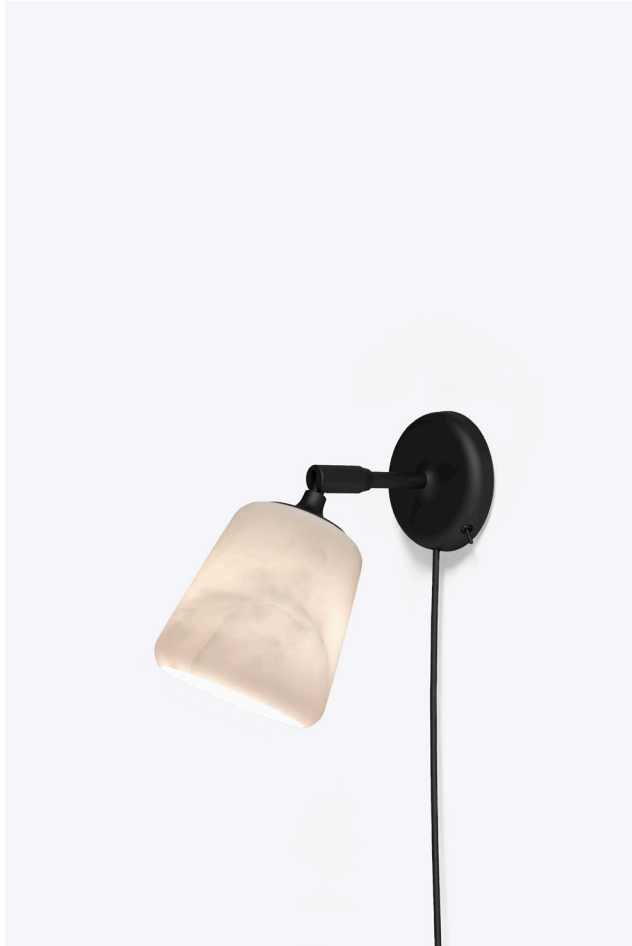


NEW WORKS.

Product Fact Sheet - Lighting - Material Wall Lamp, The New Edition



Material Wall Lamp The New Edition

Nørgaard & Kechayas

With the Material Pendant being our most popular product since day one, we are more than excited to extend this strikingly minimalist range. The introduction of the Material Table Lamp and Material Wall Lamp allows you to bring the beauty of natural materials into every room of the house. Both products feature a pivoting head for added function, and a sleek black frame that places your chosen material front and centre. From the warmth of mixed cork and terracotta, to the textural concrete finish, the Material series is perfect for those intimate settings

About the designer Nørgaard & Kechayas

The no-nonsense design duo argues that great original design has nothing to do with price, but everything to do with the ability of its creator. That spirit of craft, combined with Noergaard's reflective mind and Kechayas' "just do it" attitude, has made them a well-known name on the Danish design scene. Doing everything from elephant chairs to chameleon lamps in terracotta and kryptonite.

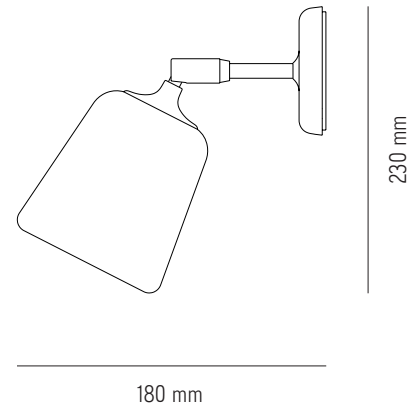
Ean No	Item No	Variation
5712826201633	20163	Black Base w. White Marble

NEW WORKS.

Product Fact Sheet - Lighting - Material Wall Lamp, The New Edition

Specification

Product Name	Material Wall Lamp
Designer	Nørgaard & Kechayas
Year	2019
Category	Lighting
Type	Wall Lamp
Material	Marble shade w. powder coated aluminium and steel base
Colour/Variant	Black Base w. White Marble
Product Dimensions	H: 450 x W: 190 x D:250 mm
Packaging Dimensions	H: 260 X W: 525 X D: 360 mm
Cord	Black PVC, 2500 mm - on/off switch on lamp base
Weight	1,9 kg
Weight (incl. Packaging)	2,3 kg
Light Source	E14, Max 25W / LED Max 7W 220-240V~ 50/60Hz
Bulb	Not Included
Certification	CE, Class II, IP20
County of origin	China
Master packaging	1



The Black Sheep Edition consists of carefully selected lampshades, and therefore comes without innershade for the light source to illuminate the white marble.

Cleaning & Care Guide

Turn off the electricity before cleaning the lamp. Wipe the glass shade with a soft dry or moist cloth. Do not use any abrasive cleaning tools, and never use strong cleaning agents such as household glass cleaner, white spirit, turpentine.

Safety Precautions

The lamp is only intended for indoor use, and consult a professionally qualified electrician if any doubt. Only use approved light bulb and following guidance - 220-240V~ 50/60Hz, E14, Max 25W / LED Max 7W. The light bulb and lamp exterior gets hot after prolonged use.

