
Gio

TABLES

Antonio Citterio



Description

Gio, designed by Antonio Citterio, is the new series with a contemporary classic accent dedicated to living in the open air. A complete range of sofas, end units, chaise longue, sunbeds, armchairs, chairs, tables and complements which have been developed from solid teak structures with a special antique grey finish, which gives the wood a particular lived-in aspect and silver-grey reflective quality. The various types of sofas, end units and chaise longue can be assembled to form linear, corner and peninsula seating. They all have a basic structure of wooden slats where backrests and armrests, characterised by and interlacing of tortora ribbons, can be easily inserted. This particular type of structure allows for easily disassemble the various components, so to reduce the space needed to store the products in winter. The seats are equipped with seat and back cushions which makes the Gio series particularly cosy and comfortable, and offer exclusive colour combinations.

Technical information

Frame:

solid antique grey teakwood

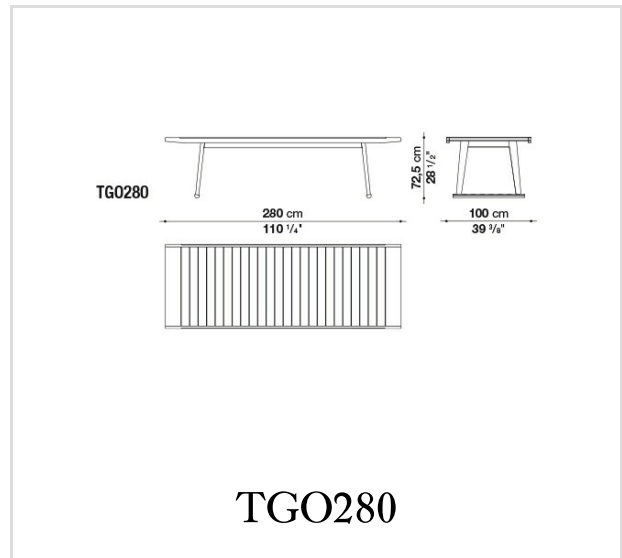
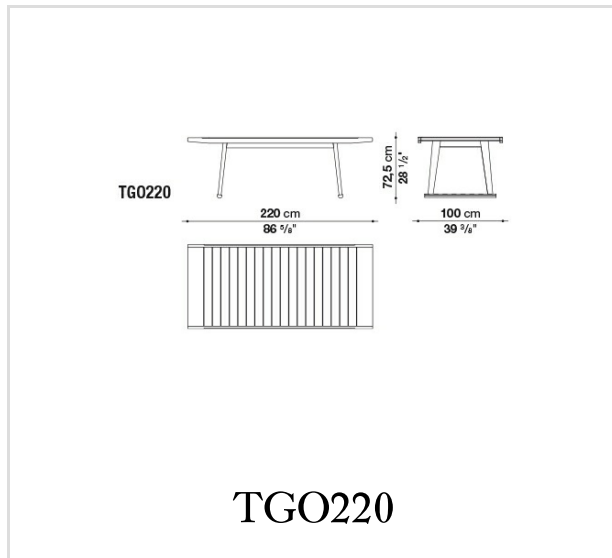
Ferrules:

thermoplastic material

Cover cloth:

polyester on synthetic support

Technical drawings



B&B Italia reserves the right to make technological and aesthetic improvements to its models, including changes to the sizes and materials, without notice. The technical drawings do not define the details of the product. The measurements shown are indicative and may undergo changes. In particular, the dimensions relevant to the padded parts are subject to usage tolerances over time caused by the normal adjustment of the padding. For the specific information, please contact the dealer closest to you.