

Designed by GamFratesi

PRODUCT



// Marble base plate cover - see appendix 1

COLOURS



// Green marble // black



// White marble // black



// Black marble // black



// Green marble // brass



// White marble // brass



// Black marble // brass

DESCRIPTION

TS Table is designed by GamFratesi. TS Column Table is available in three heights with a marble table top, black lacquered/brass frame. A marble base plate cover can be added to the table.

VERSION

Bianco Carrara - white marble top // black lacquered frame / RAL 9005 gloss 15 // brass frame  
 Nero Marquina - black marble top // black lacquered frame / RAL 9005 gloss 15 // brass frame  
 Verde Guatemala - green marble top // black lacquered frame / RAL 9005 gloss 15 // brass frame

TYPES

Order item - look for part number in the pricelist.  
 The series consists of the following:

**TS TABLE Ø40, TS TABLE Ø55, TS TABLE Ø80, TS TABLE Ø105, TS TABLE ROUND CONSOLE Ø40, TS TABLE 2 CONSOLE, TS TABLE 1 CONSOLE, TS DESK 120x60, TS COLUMN TABLES**



FACTS

MEASUREMENT

Lounge height: 600 mm  
 Dining height: 720 mm  
 Bar height: 1050 mm  
 Width: 600-1500mm (Depending on table top)  
 Table top diameter: 600-1500 mm (Marble Ø600-800 has straight edge)  
 Table top thickness: 20 mm  
 Leg diameter: 30 mm

WEIGHT ITEM

Table tops	Frames
Ø60 Marble table top: 15kg	Lounge for Ø80 top: 28,5kg
Ø80 Marble table top: 27kg	Lounge for Ø110-150 top: 50,5kg
Ø110 Marble table top: 52kg	Dining for Ø80 top: 29,5kg
Ø130 Marble table top: 71kg	Dining for Ø110-150 top: 51,5
Ø150 Marble table top: 97kg	Bar for Ø60-80 top: 31,5

PACKAGING TYPE

Cardboard box, Chipboard, Foam

PACKAGING MEASUREMENT L X W X H CM

Table top Ø60: L: 70 X W:70 X H: 6,5 CM	Lounge Column: L: 25 X W: 25 X H: 60 CM
Table top Ø80: L: 90 X W:90 X H: 6,5 CM	Dining Column: L: 25 X W: 25 X H: 72 CM
Table top Ø110: L: 120 X W:120 X H: 6,5 CM	Bar Column: L: 25 X W: 25 X H: 105 CM
Table top Ø130: L: 140 X W:140 X H: 6,5 CM	Base plate (Table Ø60-80): L: 60 X W: 60 X H: 5 CM
Table top Ø150: L: 160 X W:160 X H: 6,5 CM	Base plate (Table Ø110-150): L: 80 X W: 80 X H: 5 CM
	Top plate (Table Ø60-80): L: 60 X W: 60 X H: 5 CM
	Top plate (Table Ø110-150): L: 80 X W: 80 X H: 5 CM

WEIGHT PACKAGING - MATERIAL TYPE

Marble Table top:	Packaging Table frame:
- Delivery note: 5 g	- Delivery note: 5 g
- Foam protector: 50 g	- Foam protector: 150 g
- Screws: 50 g	- Strapping: 10 g
- Chipboard:	- Cardboard
- Chipboard Ø60: 10500 g	- Cardboard Lounge (Ø80): 2300 g
- Chipboard Ø80: 14000 g	- Cardboard Lounge (Ø110-150): 2500 g
- Chipboard Ø110: 38000 g	- Cardboard Dining (Ø80): 2500 g
- Chipboard Ø130: 45000 g	- Cardboard Dining (Ø110-150): 2700 g
- Chipboard Ø150: 53000 g	- Cardboard Bar (Ø80): 3000 g
Packaging marble top Ø60: 10,6kg	Packaging Frame Lounge (Ø80): 2,5 kg
Packaging marble top Ø80: 14,1 kg	Packaging Frame Lounge (Ø110-150): 2,7 kg
Packaging marble top Ø110: 38,1 kg	Packaging Frame Dining (Ø80): 2,7 kg
Packaging marble top Ø130: 45,1 kg	Packaging Frame Dining (Ø110-150): 2,9 kg
Packaging marble top Ø150: 53,1 kg	Packaging Frame bar (Ø60-80): 3,2 kg

Packaging Total: Packaging table top + Packaging frame

WEIGHT TOTAL (WITH MARBLE TOP):

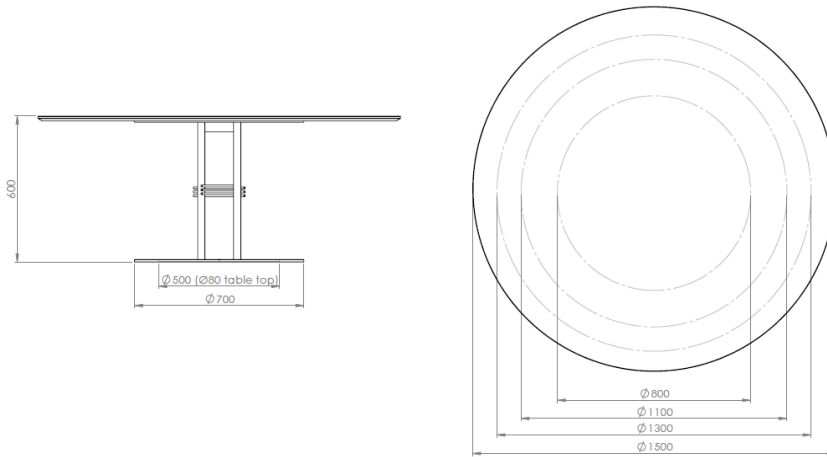
Lounge Ø80: 72kg	Dining Ø110: 145kg
Lounge Ø110: 143kg	Dining Ø130: 171kg
Lounge Ø130: 169kg	Dining Ø150: 205kg
Lounge Ø150: 203kg	Bar Ø60: 60kg
Dining Ø80: 72kg	Bar Ø80: 76kg

NUMBER OF PARCELS

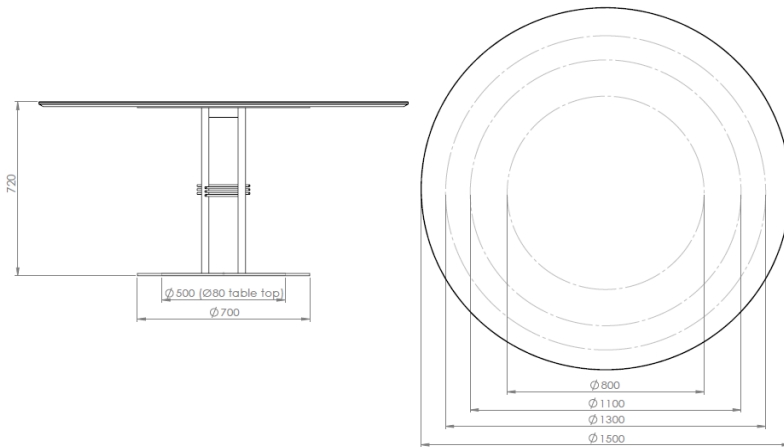
4 psc. (1 TABLE TOP + 1 COLUMN + 1 BASE PLATE + 1 TOP PLATE)

## MEASUREMENTS

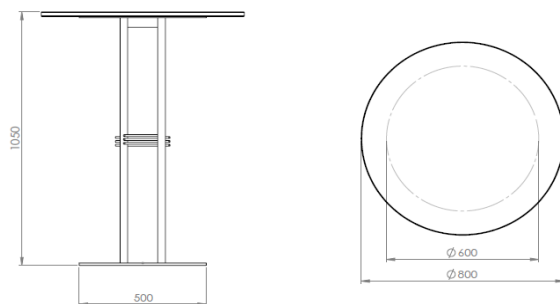
Lounge Table:



Dining Table:



Bar table:



## CLEANING AND MAINTENANCE

### Black Lacquered Metal Frame

Daily cleaning is done by wiping the frame with a clean dry cloth, or with a cloth hardly wrung in clean water. Dirty surfaces are cleaned with a hardly wrung cloth out of soapy water or in water with added liquid soap. Wipe after with a clean dry cloth.

### Marble Top

For marble maintenance, see the included marble instruction sheet.

## ENVIRONMENT

Parts can be separated and sorted for recycling.

## TESTS

-

## CERTIFICATION AND LABELS

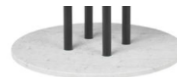
-

## APPENDIX 1 // TS COLUMN TABLE // MARBLE BASE PLATE COVER

### PRODUCT



### COLOURS



// White marble // black



// Black marble // black



// White marble // brass



// Black marble // brass

### DESCRIPTION

The marble base plate covers comes in two colors of marble; black and white.

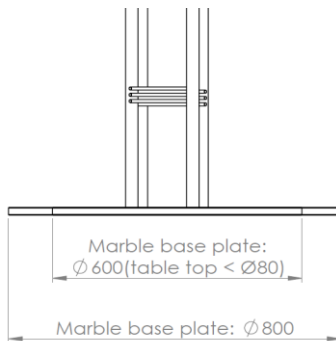
Marble is a natural product and the structure and appearance of each piece is unique. When you choose to have the table top and the base plate cover in the same marble type the plates could be cut from two different places of the stone and the structure and appearance would most likely be a bit different from each other.

N.B. DO NOT tilt the table - this will add too much stress to the marble. Only lift the table by the metal frame. Do not lift table by the marble table top.

### VERSION

Bianco Carrara - white marble top // black lacquered frame / RAL 9005 gloss 15 // brass frame  
 Nero Marquina - black marble top // black lacquered frame / RAL 9005 gloss 15 // brass frame

### MEASUREMENTS



### FACTS

#### MEASUREMENT

Marble base plate width: 600mm (For table tops up to 800mm)  
 Marble base plate width: 800mm (For table tops 1100mm and bigger)  
 Marble base plate thickness: 20 mm

#### WEIGHT ITEM

Marble base plate cover:  
 Ø60 Marble base plate cover: 11 kg  
 Ø80 Marble base plate cover: 18kg

#### PACKAGING TYPE

Chipboard, Foam

#### PACKAGING MEASUREMENT L X W X H CM

Marble base plate cover Ø60: L: 70 X W:70 X H: 6,5 CM  
 Marble base plate cover Ø80: L: 90 X W:90 X H: 6,5 CM

#### WEIGHT PACKAGING - MATERIAL TYPE

Marble base plate cover weight:  
 - Delivery note: 5 g  
 - Foam protector: 50 g  
 - Screws: 50 g  
 - Chipboard:  
   - Chipboard Ø60: 10500 g  
   - Chipboard Ø80: 14000 g  
 Packaging marble base plate cover Ø60: 10,6kg  
 Packaging marble base plate cover Ø80: 14,1 kg

#### Packaging Total:

Packaging table top (page 1) + Packaging frame (page 1) + Packaging Marble base plate cover

#### WEIGHT TOTAL (WITH THE MARBLE BASE PLATE COVER ADDED):

Lounge Ø80: 94kg	Dining Ø110: 177kg
Lounge Ø110: 175kg	Dining Ø130: 203kg
Lounge Ø130: 201kg	Dining Ø150: 237kg
Lounge Ø150: 235kg	Bar Ø60: 82kg
Dining Ø80: 94kg	Bar Ø80: 97kg