
Borea

SOFAS

Piero Lissoni



Description

Borea is a complete and eclectic collection of outdoor seats and tables designed by Piero Lissoni. The numerous pieces in the collection have in common tubular metal structures with a fluid and seamless design, without joints and interruptions, captivating and even emerging in the detail that extends to the base. The metal bending processes take advantage of techniques typically used in the aeronautical sector and transport them into the world of outdoor furniture bringing life to a collection with an unmistakable style. The collection includes two- and three-seater sofas, an oversized armchair, a low small armchair and a dining chair, all with stackable aluminum structures painted. Comfort is ensured by generous cushions, which are not only soft and relaxing but were also developed to be sustainable. Paddings are in fact made with polyester fiber filling coming from recycled PET plastic bottles enveloping a different densities polyurethane core. 510 1500 ml bottles are needed to create the padding for a Borea three-seater sofa, 390 bottles for the twoseater sofa, 280 for the armchair.

Technical information

Frame

tubular and aluminium sheet

Upholstery

shaped polyurethane of different density, polyester fibre

Ferrules

plastic material

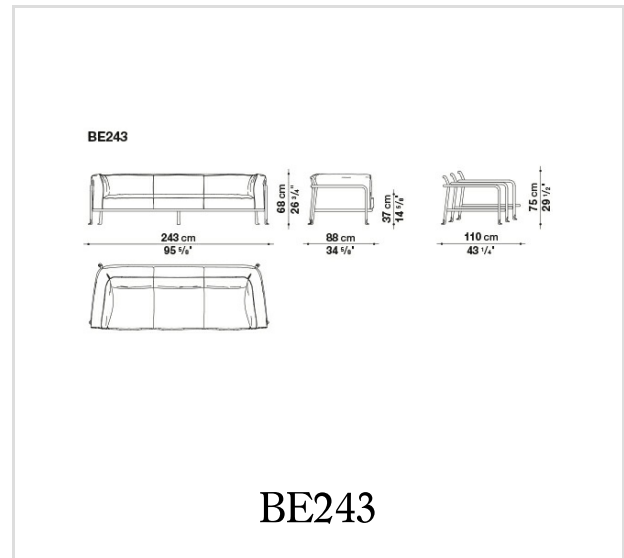
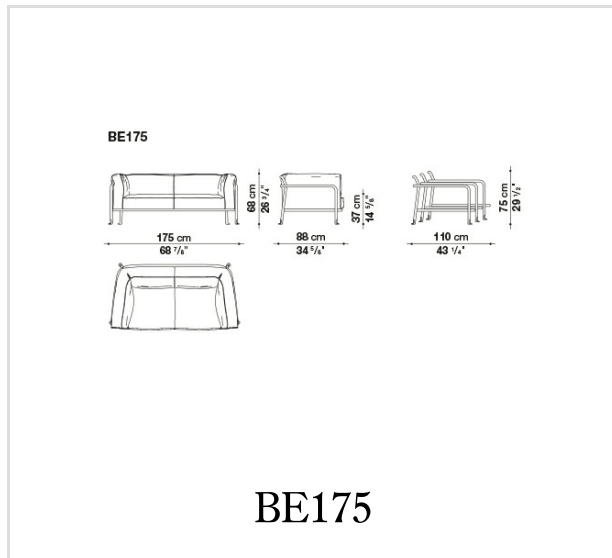
Waterproof cover cloth

PES fabric coated on one side in PU

Cover

fabric in limited categories (with profile)

Technical drawings



B&B Italia reserves the right to make technological and aesthetic improvements to its models, including changes to the sizes and materials, without notice. The technical drawings do not define the details of the product. The measurements shown are indicative and may undergo changes. In particular, the dimensions relevant to the padded parts are subject to usage tolerances over time caused by the normal adjustment of the padding. For the specific information, please contact the dealer closest to you.