

PANGEN

Historical Archive, 2012

This lampshade is a fluid, minimal dome shape, its lacquer finish and modern colors ensuring surprising lighting. Available in suspension and ceiling mounted versions.



RELATED PRODUCTS

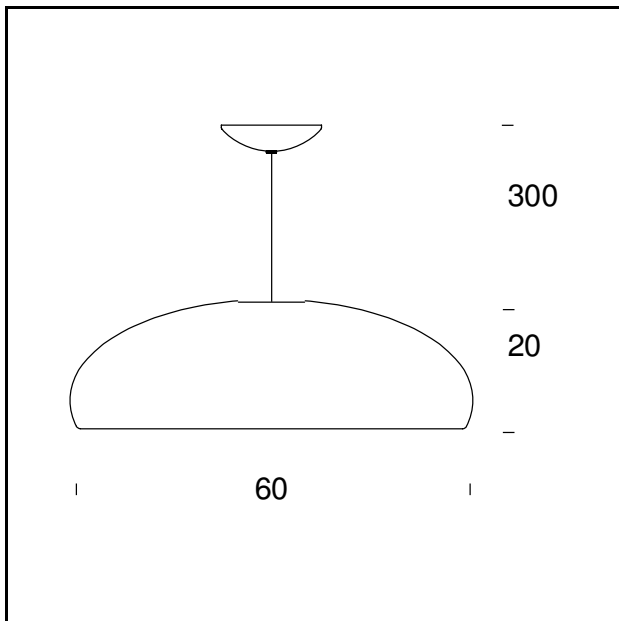


PANGEN

Ceiling Lamp

TECHNICAL SHEET

Suspension lamp. Body in white painted aluminum BI (RAL 9003 gloss), black N (RAL 9005 gloss), red R (RAL 3004 gloss), green V (RAL 6003 gloss) and orange AR (RAL 2010 gloss). The diffuser screen is in satin-finish polycarbonate. Clear power cable. Chromed ceiling rose.



MODEL NAME: Pangen

CODE: 4196..

DIMENSIONS: \varnothing 60 × 20 + 300 cm

MATERIALS: Metal

COLORS

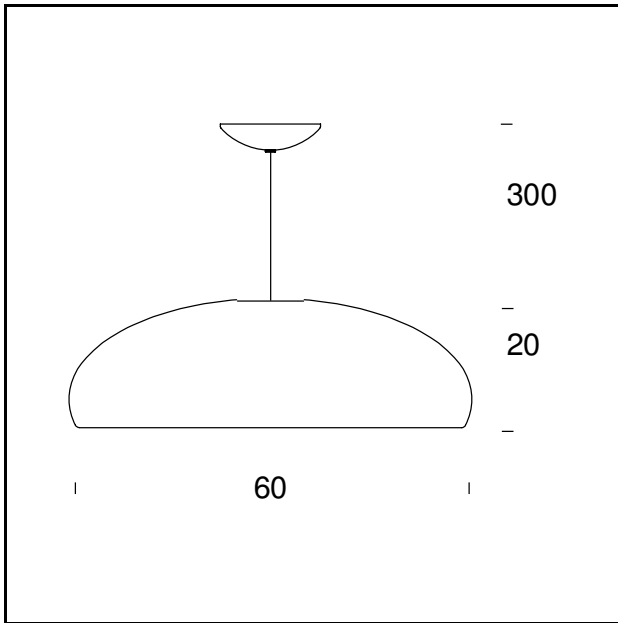
- Black - RAL Code: RAL 9005 Gloss
- Green - RAL Code: RAL 6003 Gloss
- Orange - RAL Code: RAL 2010 Gloss
- Red - RAL Code: RAL 3004 Gloss
- White Gloss - RAL Code: RAL 9003 Gloss

BULB: 3×42W (HA) E27

POWER CORD: Transparent

CERTIFICATIONS AND SYMBOLS:





MODEL NAME: Pangen led

CODE: 4334..

DIMENSIONS: $\varnothing 60 \times 20 + 300$ cm

MATERIALS: Metal

COLORS

- Black - RAL Code: RAL 9005 Gloss
- Green - RAL Code: RAL 6003 Gloss
- Orange - RAL Code: RAL 2010 Gloss
- Red - RAL Code: RAL 3004 Gloss
- White Gloss - RAL Code: RAL 9003 Gloss

BULB: 28,6W Led (3000K, CRI>80, 3650 Lm)

POWER CORD: transparent

CERTIFICATIONS AND SYMBOLS:



Subject to technical modifications and modifications to content