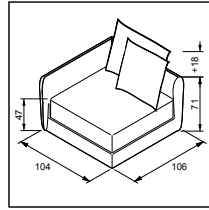


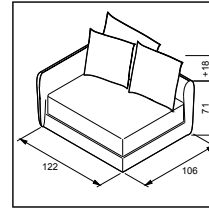
## PAVAROTTI MODULAR SOFA

Pavarotti is a modular sofa that can be combined in a number of different ways. Whether you want a compact piece of furniture or a big seating area, you may combine sections and pick your fabric in order to personalize it to your home.



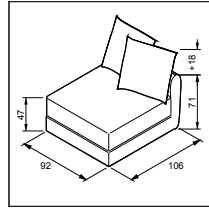
### LEFT OR RIGHT MODULE SMALL

Width: 104 cm  
Depth: 106 cm  
Seat Height: 47 cm  
Back Height: 71 cm  
Seat Depth: 90 cm  
(without cushions)



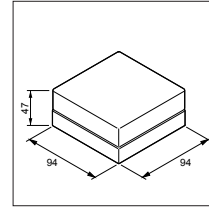
### LEFT OR RIGHT MODULE LARGE

Width: 122 cm  
Depth: 106 cm  
Seat Height: 47 cm  
Back Height: 71 cm  
Seat Depth: 90 cm  
(without cushions)



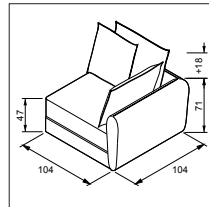
### MIDDLE MODULE

Width: 92 cm  
Depth: 106 cm  
Seat Height: 47 cm  
Back Height: 71 cm  
Seat Depth: 90 cm  
(without cushions)



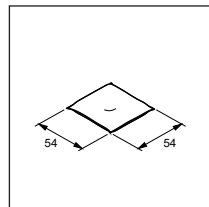
### OTTOMAN

Width: 94 cm  
Depth: 94 cm  
Seat Height: 47 cm



### CORNER MODULE

Width: 104 cm  
Depth: 104 cm  
Seat Height: 47 cm  
Back Height: 71 cm  
Seat Depth: 90 cm  
(without cushions)



### SQUARE SMALL CUSHION

Width: 54 cm  
Depth: 54 cm  
Height: 14 cm

Down feathers and  
removeable cover.

### LEFT OR RIGHT MODULE SMALL

Rectangular Large Cushion x1 /  
Square Medium Cushion x1

### LEFT OR RIGHT MODULE LARGE

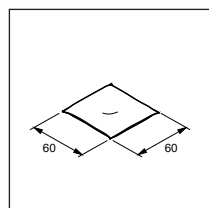
Rectangular Large Cushion x1 /  
Square Medium Cushion x1 / Square Small Cushion x1

### MIDDLE MODULE

Square Medium Cushion x2

### CORNER MODULE

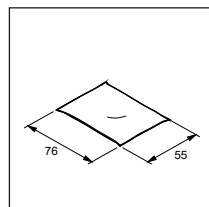
Rectangular Large Cushion x2 /  
Square Medium Cushion x1



### SQUARE MEDIUM CUSHION

Width: 60 cm  
Depth: 60 cm  
Height: 14 cm

Down feathers and  
removeable cover.

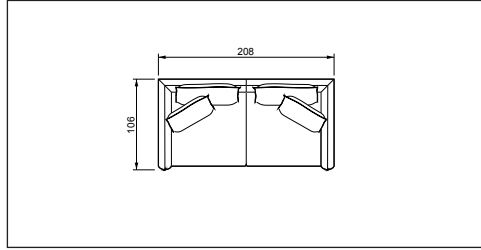


### RECTANGULAR LARGE CUSHION

Width: 76 cm  
Depth: 55 cm  
Height: 14 cm

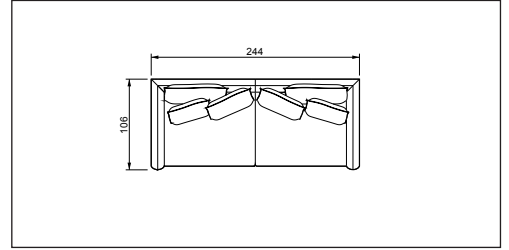
Down feathers and  
removeable cover.

## CONFIGURATION EXAMPLES



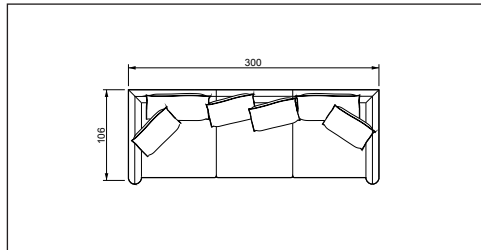
### 2-SEATER

Left Module Small x1 /  
Right Module Small x1



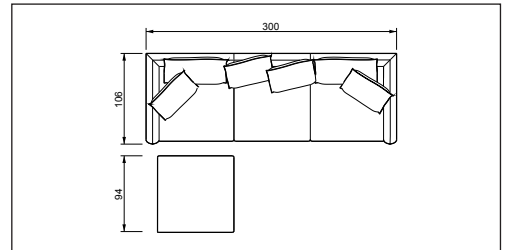
### 2,5-SEATER

Left Module Large x1 /  
Right Module Large x1



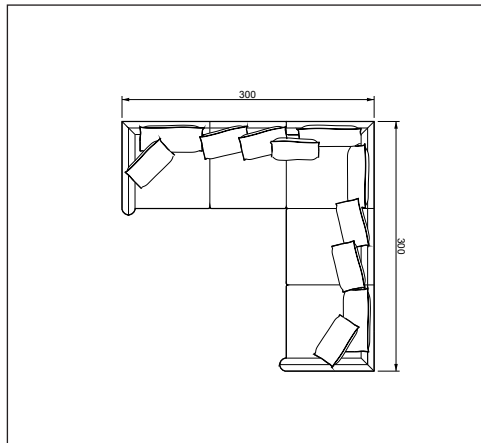
### 3-SEATER

Left Module Small x1 / Middle Module x1 /  
Right Module Small x1



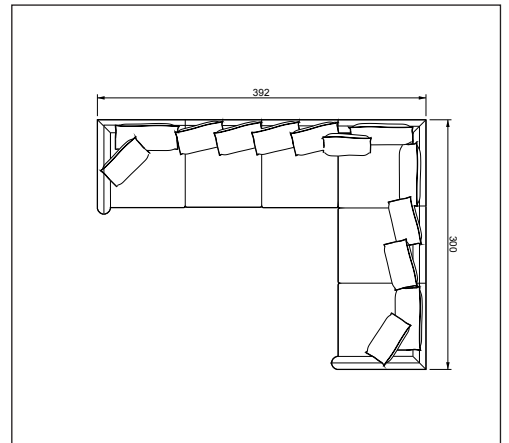
### 3-SEATER WITH OTTOMAN

Left Module Small x1 / Middle Module x1 /  
Right Module Small x1 / Ottoman x1



### 5-SEATER CORNER

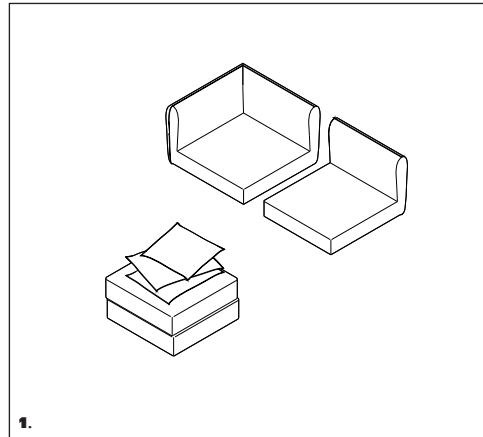
Left Module Small x1 / Middle Module x2 /  
Corner Module x1 / Right Module Small x1



### 6-SEATER CORNER

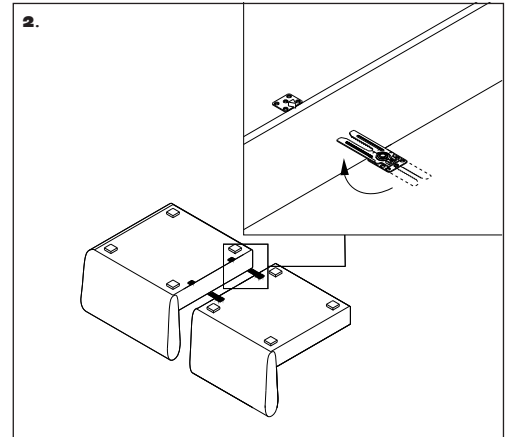
Left Module Small x1 / Middle Module x3 /  
Corner Module x1 / Right Module Small x1

## ASSEMBLY GUIDE



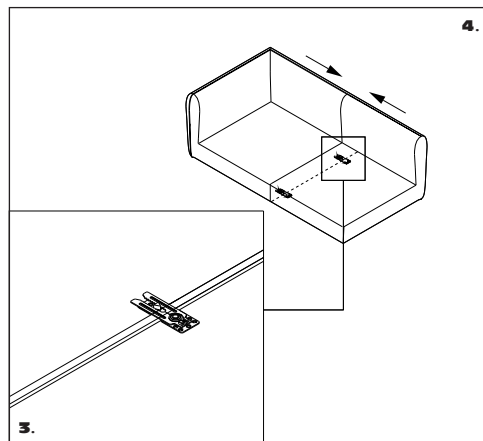
### STEP 1

Place the individual modules side by side with a 30-40 cm distance.



### STEP 2

Grab the two hooks which are fastened underneath the sofa-module and pull them gently out (90 degrees) until you hear a 'click'.

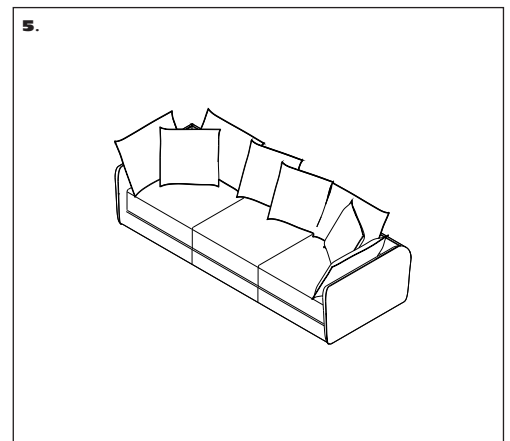


### STEP 3

When both hooks have been placed in position, the elements are gently pushed together while you make sure the hooks catch the corresponding bracket.

### STEP 4

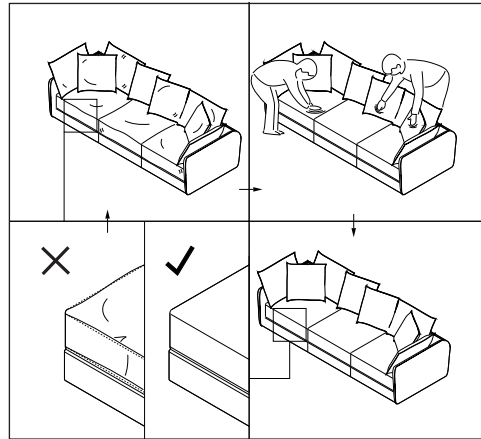
Keep pushing until the modules touch each other without any visual gap. Now the modules will be firmly locked against each other.



### STEP 5

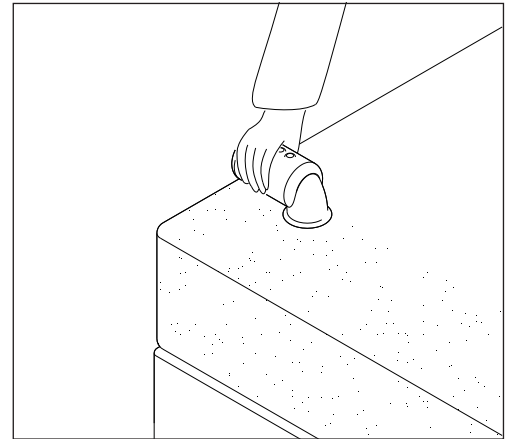
In order to disassemble the modules again you will need to gently lift the module with the "small nail connector" to release the locking mechanism again.

## CARE & MAINTENANCE



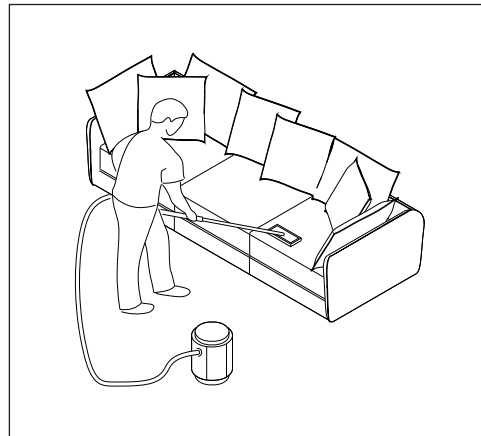
### STEP 1

Shake and cuff the seat-, back- and loose cushions regularly to ensure the fillings regain the intended structure and shape and to make sure the seams stay even.



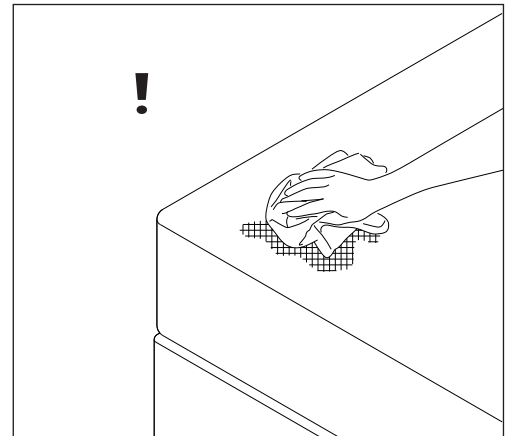
### STEP 2

Sometimes the surface of the fabric can form small 'balls' of entangled textile fibres. This is called pilling and can happen for several reasons including extraneous fibres from clothing, blankets and dust which get stuck on the surface of the fabric. Pilling can easily be removed with an electric fabric-pill remover.



### STEP 3

All upholstered furnitures benefit from proper maintenance. This means you should vacuum your furniture once a week to pick up any loose dirt and dust. We also recommend that you occasionally wipe the fabric with a damp cloth, so that the fibers can retain elasticity and the fabric maintains its attractive appearance for longer. It is also important that you remove any stains and dirt as soon as possible.



### STEP 4

Grease stains can be removed with a stain remover. Use of stain removers is at your own risk. If you choose to use a stain remover, we recommend that you:

- a. Use a soft white cloth.
- b. Test it on a none-visible area first to see if the colour disappears.
- c. Treat the stain from the outer edges inward, in order to avoid streaks.
- d. Wipe the entire area with a damp cloth when the stain has been removed.
- e. Always use professional furniture cleaner for removing difficult stains.