

## Nur Gloss Mini Ceiling - Black



IP40

Dimmerable: + -

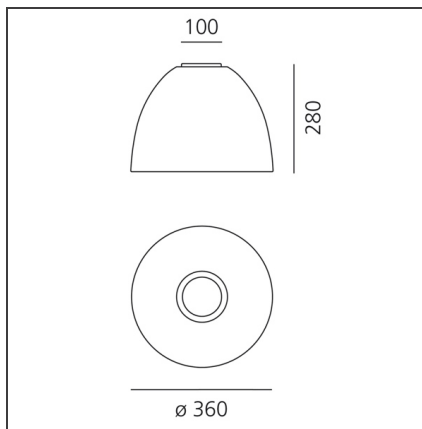
### DESIGN BY

Ernesto Gismondi

### DESCRIPTION

A perfectly smooth and polished finish gives elegance to the classic Nur model. Painted aluminium body lamp; polycarbonate diffuser.

### TECHNICAL DRAWINGS



### FEATURES

<b>Article Code:</b>	A245510	<b>Material:</b>	Aluminium, polycarbonate
<b>Colour:</b>	Black	<b>Series:</b>	Design
<b>Installation:</b>	Suspension, Ceiling	<b>Area contract:</b>	Hospitality, Residential
<b>Environment:</b>	Indoor	<b>Emission:</b>	Direct/indirect

### DIMENSIONS

<b>Height:</b>	cm 28	<b>Impact Resistance:</b>	N/D
<b>Base Diameter:</b>	cm 10	<b>Glow Wire Test:</b>	850

### NOT INCLUDED SOURCES

<b>Category:</b>	HALO	<b>Class:</b>	A
<b>Number:</b>	1		
<b>Watt:</b>	150W		
<b>Socket:</b>	E27		

### ALTERNATIVE SOURCES

<b>Category:</b>	LED
<b>Number:</b>	1
<b>Watt:</b>	21W
<b>Delivered lumens output (lm):</b>	2452lm
<b>Type:</b>	2
<b>Socket:</b>	E27
<b>Class:</b>	A

### LUMINAIRE

<b>Watt:</b>	150W	<b>Delivered lumens output (lm):</b>	1186lm
<b>Voltage:</b>	220V-240V	<b>CCT:</b>	3000K
		<b>Efficiency:</b>	41%
		<b>Efficacy:</b>	8lm/W

### Notes

Added to the direct emission is an indirect emission that produces a halo of decorative light on the ceiling. All the versions are encased in a diffuser at the bottom.