

# m o o o i<sup>®</sup>



## Smoke chandelier

---

Furniture finished with fire. The beauty and character of burnt wood is now captured in a long lasting material, creating the strange sensation of burnt furniture.

---

<b>Designer</b>	Maarten Baas
<b>Year of design</b>	2002
<b>Material</b>	Burnt wood finished with epoxy
<b>Additional</b>	Each piece differs due to the process used for production

---

---

## Detailing



The enchanting texture of burnt wood. Each item from the Smoke series share the unfamiliar and untamed finish that is categorised by fire.

Please refer to the manual for more information

---

## Colour



Black

---

## Technical



E14 x 3  
40 W MAX type B  
Cable length 4M (black)  
10M cable available on request  
Smoked black canopy



E12 x 3  
40 W MAX type B  
Cable length 4M (black)  
10M cable available on request  
Smoked black canopy

---

## Pakaging

H 65 cm | 25.6"  
W 54 cm | 21.3"  
D 46 cm | 18.1"

Colli 1/1  
Product weight:  
2,9 KG | 6,4 lb  
With packaging:  
7,2 KG | 15,9 lb

---

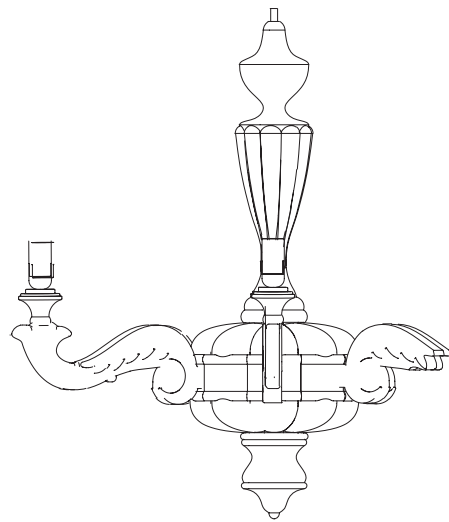
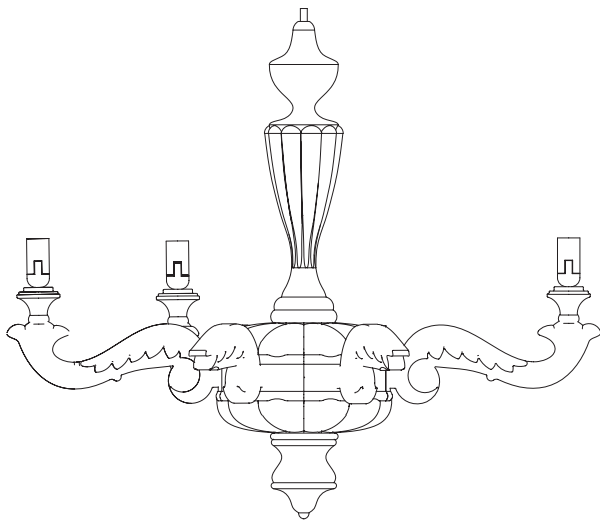
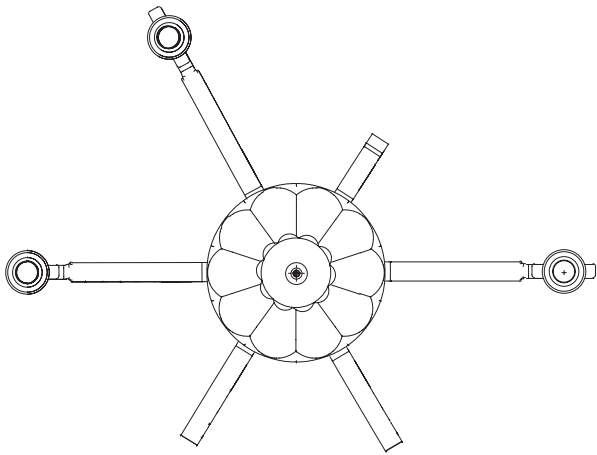
## Cleaning Instructions

The Smoke series of furniture should be lightly dusted regularly with a feather duster and a damp cloth. Cleaning should not be undertaken whilst the light is in use or connected to a mains electricity power supply.

---

## Main dimensions

65cm | 25.6"



55cm | 21.7"