

SIRIUS PENDANT

Carlo Colombo

Table and pendant lamp, widespread light. Diffuser in opal white triplex blown glass. Structure in shiny polished die-casted aluminium. Table version with a nickeled steel base. Dimmable. NEMO G9 Kit LED on request.



HALO/LED

LAMPING

Source	halopin G9 QT-14
Total power	6x40W
Emission	diffused
Switching	dimmable
Tension	230V
Materials	glass + steel
Notes	metal cable lenght 3m, electrical cable lenght 3m, LED version with kit G9 LED NEMO

Codes

SIR HLW 51

Structure/Diffuser

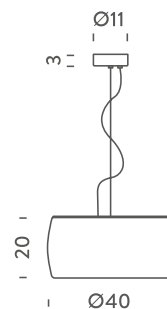
nickel /opal white


PACKAGE

Package 01 48x48x22 cm / Gross weight: 3 Kg

Package 02 51x51x46 cm / Gross weight: 5.5 Kg

Certificazioni

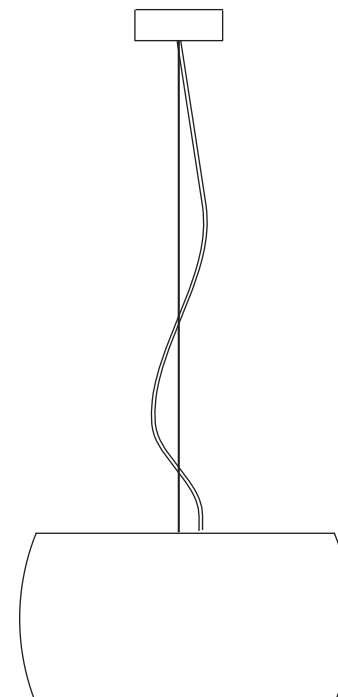


 max 6x40W G9



Use lamp marked "Suitable for use in open luminaires"
Utiliser une lampe portant le marquage "Convient aux luminaires ouverts"

Assembly instructions Instructions pour le montage Instrucciones para el montaje



Progetto di Carlo Colombo

Sirius

sospensione

NEMO

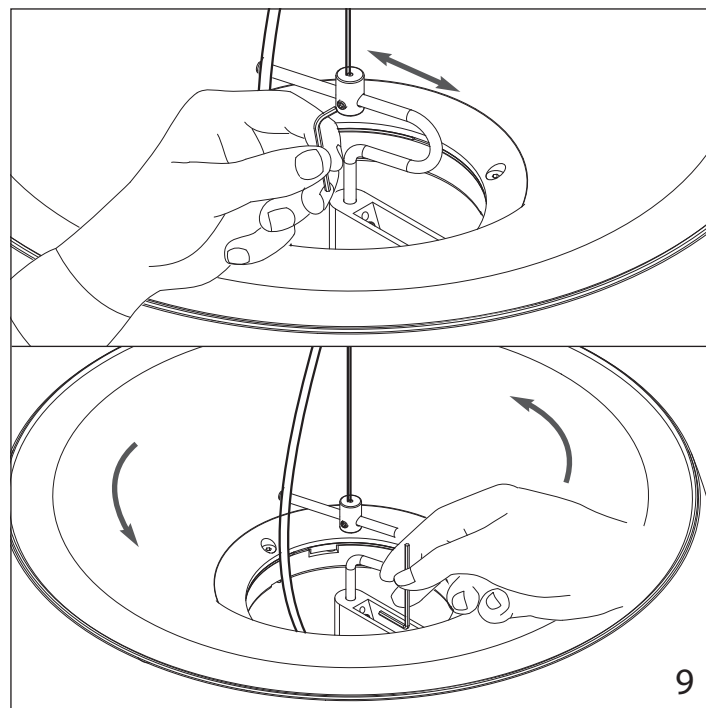
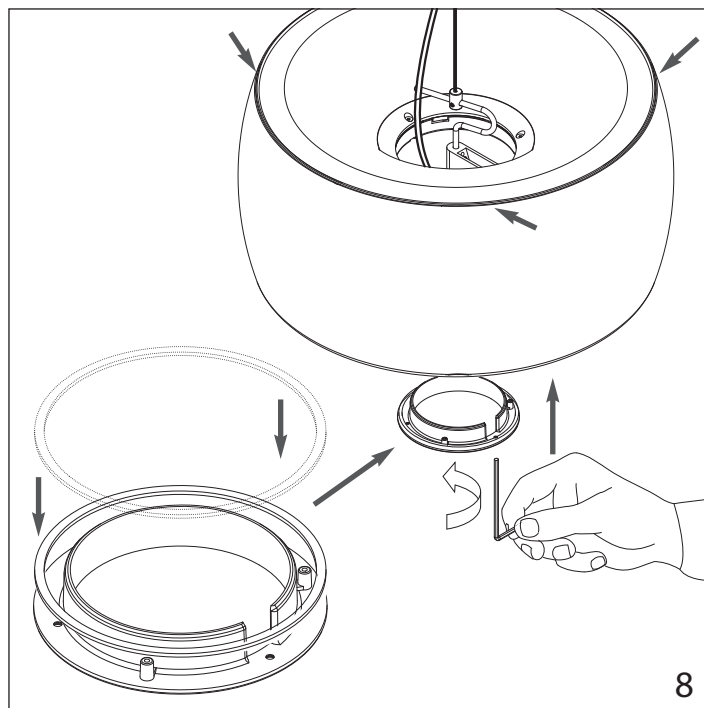
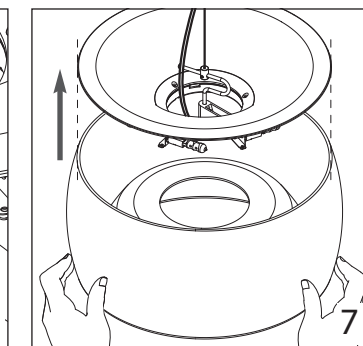
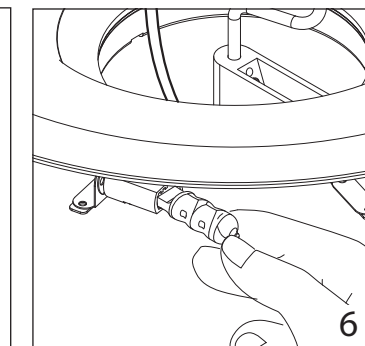
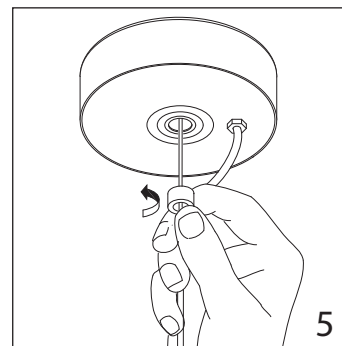
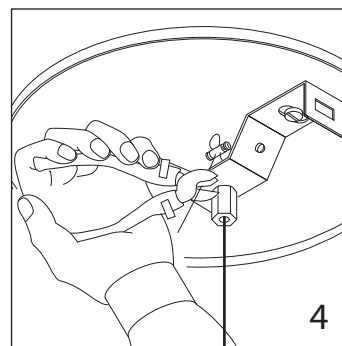
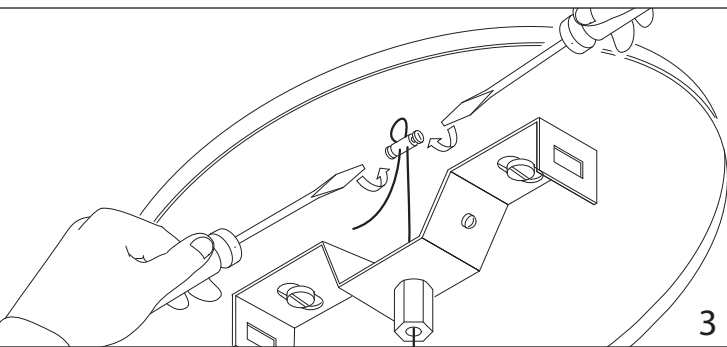
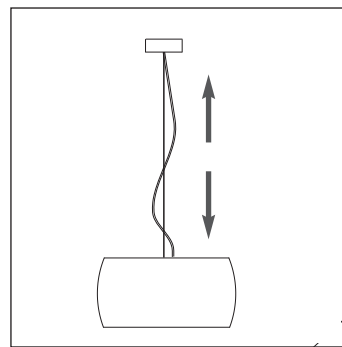
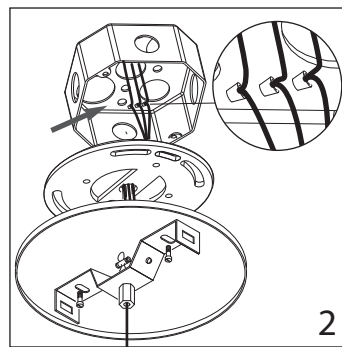
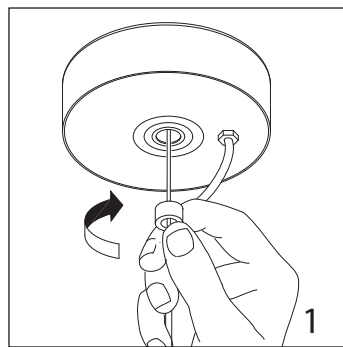
Nemo S.r.L. Viale Brianza, 30 | 20823 Lentate sul Seveso (MB), Italy | Tel. +39 0362 166 05 00 | Fax +39 0362 372 996
info@nemolighting.com | nemolighting.com

cod. 072 SIR000300

NEMO

Sirius

sospensione



If the flexible outside cable is damaged, it should be replaced by the manufacturer or specialist personnel only avoid safety risks.

Si le câble flexible extérieur est endommagé, il doit être remplacé seulement par le constructeur ou par une personne qualifiée, afin d'éviter tout danger.

Si el cable flexible externo se arruina, deberá ser reemplazado solamente por el constructor o por persona competente, para evitar peligros.