



© COPYRIGHT 2018 MDF ITALIA SRL SOCIETA' UNIPERSONALE

2017

AXY

Designed by Claudio Bellini

Lightness combined with dynamic perception of suspension is the theme developed by the design of the new table system Axy. A basic architecture in which the original design of the two structural bridges, entirely made of aluminium, recomposes the tensions and strength lines with expressive efficacy.

A thin top completes the table, conveying an overall aerial impression underpinned by reassuring stability.

Available in various configurations, including the extendable version, with a wide choice of materials and finishes Axy naturally adapts to a broad range of interpretations both for indoor and outdoor use, from the dining-table to the working desk.

Rectangular tables available in 20 sizes and various depths, height 73cm, in the types and configurations:

- Fix: AXY and AXY COMFORT
- Extendable: AXY EXTENSION and AXY COMFORT EXTENSION

FRAME

AXY and AXY COMFORT: fixed bearing frame made of extruded aluminium painted with matt graphite grey epoxy powder.

- AXY EXTENSION: bearing frame and extension mechanism produced in oxidised black extruded aluminium, running on castors with ball bearings and lateral extraction of the bridge.

Open and close lock with two levers placed on under top guides.

Storage compartment of extension tops in aluminium painted with matt graphite grey epoxy powder, fitted with a small non-scratch carpet.

- AXY COMFORT EXTENSION: bearing frame and extension mechanism produced in oxidised black extruded aluminium with longitudinal top movement (on ball bearings).

Open and close lock with two levers placed on under top guides.

Storage compartment of extension tops in aluminium painted with matt graphite grey epoxy powder, fitted with a small non-scratch carpet.

For all types of die-cast and extruded aluminium bridge legs, available in the version painted with white and matt graphite grey epoxy powder; liquid stained in the colors titanium, bronze and matt black nickel.

TOPS

Tops are available in the materials: Fenix, oak, calce, pietra di Savoia and aluminium. Thickness 12 mm. Fixed versions with CALCE, PIETRA DI SAVOIA and ALLUMINIUM tops are also suitable for outdoor use. EXTENSION versions are only available in the finishes FENIX and OAK.

EXTENSIONS

The flexible features of AXY EXTENSION are underscored by the presence of two extensions, 50cm each, placed on the frame's guides. Extensions can be produced with either one or two elements. The nominal length of the table can be increased from 50 to 100cm, based on client requirements.

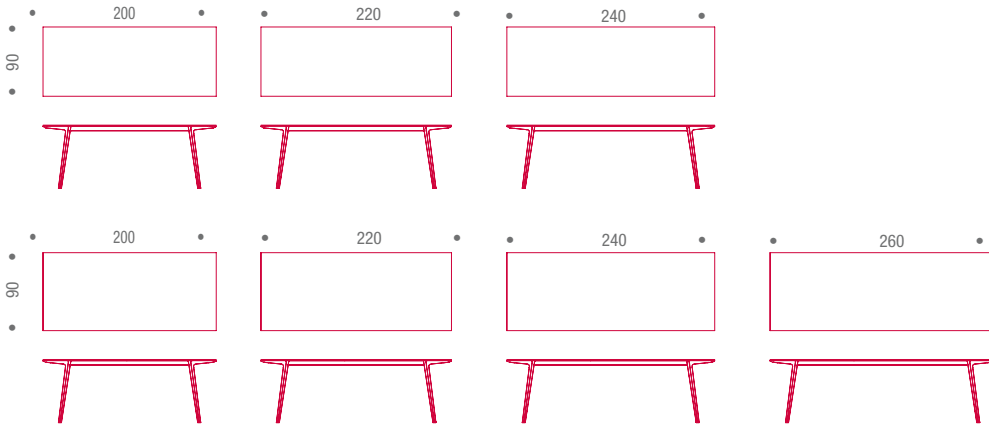
AXY COMFORT EXTENSION has a single extension, 55cm, placed on the frame's guides.

ACCESSORIES

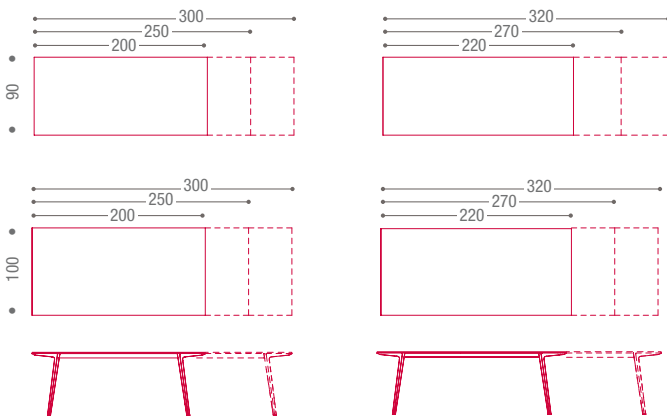
The tables, in the version AXY COMFORT D120 L240/260/280/300/340/400 with tops in FENIX, WOOD and ALUMINIUM, are available in the version with electrified profile. A series of adaptors with different types of sockets and functions can be hooked to the electrified profile. Steel spring to be inserted into specific holes prepared in the lower part of the electrified raceway to collect the cables.

Finish: painted matt black.

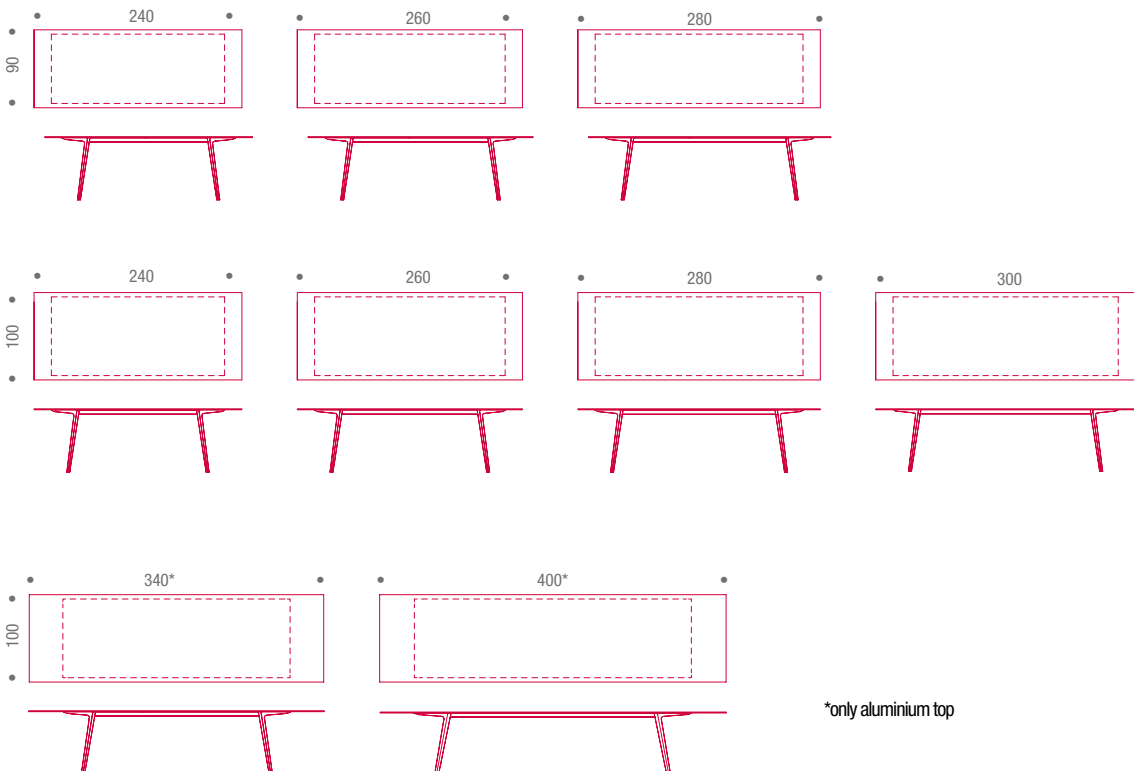
AXY



AXY EXTENSION

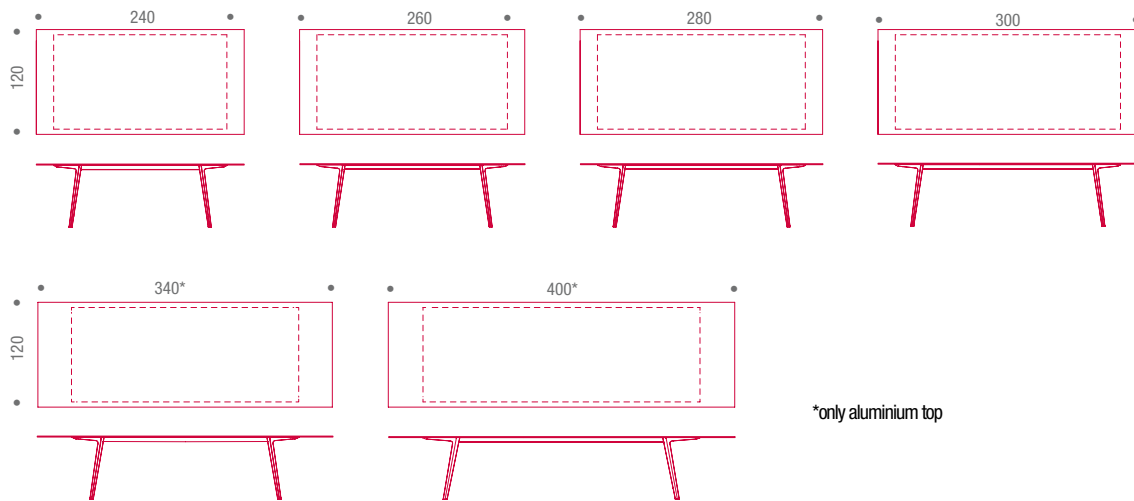


AXY COMFORT

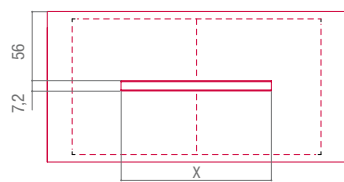
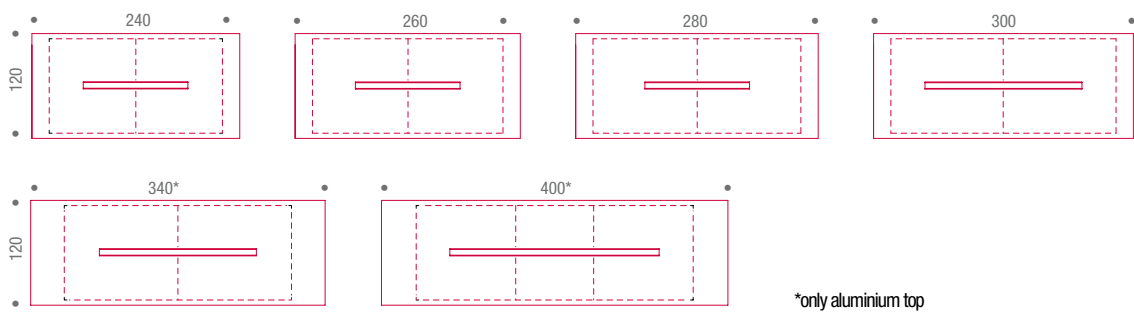


*only aluminium top

AXY COMFORT 120



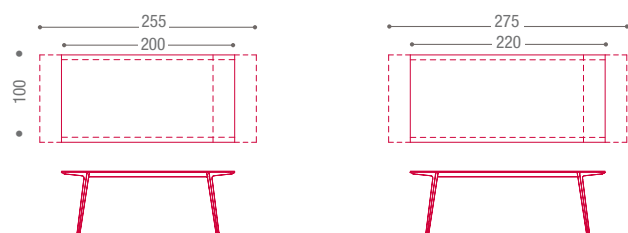
AXY COMFORT 120 WITH ELECTRIFIED PROFILE



Dimensioning of raceways to collect the cables , single version (X):

- L240,260,280 = 120 cm
- L300,340 = 180 cm
- L400 = 240 cm

AXY COMFORT EXTENSION



Finishing

The number in the dot corresponds to the number of colour/material finish.

Here below, in the section FINISH OPTIONS, please note all the colours of the materials used for this product.

TABLE

Top



Fenix



Oak



Calce

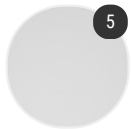


Stone



Aluminium

Structure



Matt painted

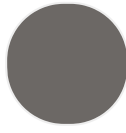
Finish options

TOP

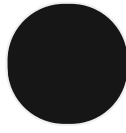
Fenix



Fenix matt
white X020



Fenix matt
medium grey
X021



Fenix matt
black X022

Oak



Light oak
X095



Mocha oak
X096



Anthracite
oak X097

Calce



Light grey
calce



Black calce

Stone



Medium grey
pietra di
Savoia

Aluminium



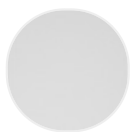
Bronze
aluminium
X109



Black
aluminium
X110

STRUCTURE

Matt painted



Matt painted
white X053



Matt painted
graphite grey
X054



matt titanium
paint X099



matt bronze
paint X100



matt black
nickel paint
X101