

# REVOLVER BAR STOOL

DESIGN BY LEON RANSMEIER



HAY's Revolver Bar Stool is positioned on a bearing mechanism that enables the seat and footrest to rotate 360 degrees. The slim, slightly dished seat features curved edges for additional comfort, while the footrest provides support and the weighty base creates total stability. The rotating feature, while altering appearance, also lends a sense of the play to this functional design.

## PRODUCT DETAILS

- / Available in 2 heights: H65 cm and H76 cm.
- / Its versatile presence makes it suitable for a wide range of public and residential environments.
- / Qualified for contract use.
- / Seat and foot ring rotates 360 degrees.

# HAY

## MATERIAL

Powder coated steel with aluminium bearing.

## COLOUR & FINISH

Please note that the colour codes are indicative.

Available in 3 different colours.

/ Black (RAL 9005)

/ Sky grey (RAL 7038)

/ Red (NCS S 2570-Y80R)



BLACK



SKY GREY



RED

## CONSTRUCTION

SEAT / in 2 mm pressed sheet metal connected with a legsection in a 34 x 17 mm box profile. Two pressed L shape steel rings encapsulate the aluminum bearing which allow the seat to rotate.

REQUIRES ASSEMBLY / 4 screws and Allen key included.

## TESTS

EN 16139:2013 / Furniture - Strength, durability and safety - Requirements for non-domestic seating.

L2: Extreme use - Loading according to Test severity L2.

## DOWNLOADS

2D files, 3D files, pack shots are available in our imagebank at hay.dk.

Care- and maintenance instructions and test certificates are available at hay.dk.

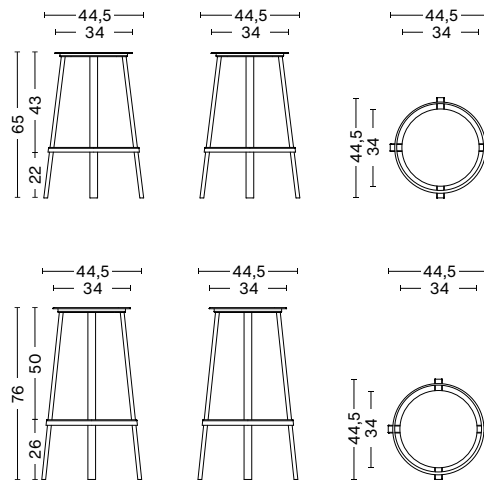
## DIMENSIONS

DIAMETER BASE / 44,5 cm / 17.52"

DIAMETER SEAT / 34 cm / 13.39"

HEIGHT LOW / 65 cm / 25.59"

HEIGHT HIGH / 76 cm / 29.92"



# HAY