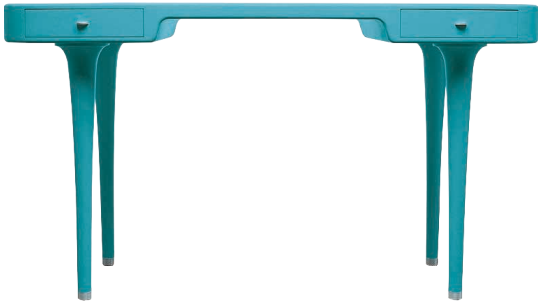


RIGA

Marc Newson

cappellini



Wooden desk for home use, matt lacquered in all the colors of the collection. Feet and knobs in natural anodized aluminum.

Materials used_

Top:

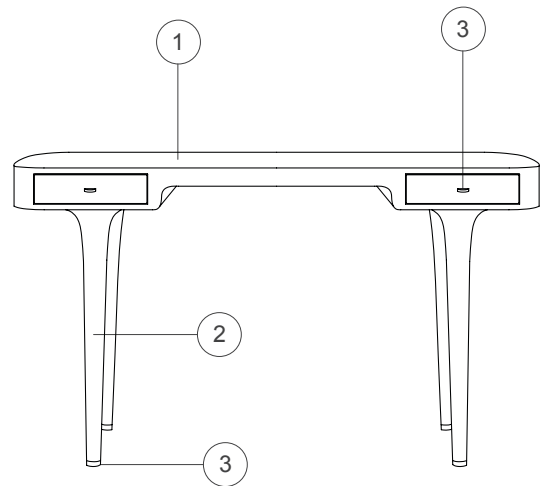
1. Panels conglomerate fiber medium density wood, matt lacquered in the colors of our collection with solid beech.

Legs:

2. Solid beech wood, matt lacquered in the colors shown in the catalog

Feet and handles:

3. Natural anodized aluminum



Dimensions_

MN_51

