

# Mera

SMALL TABLES

2012

Antonio Citterio



## Description

---

Series of small tables with a transversal character that allows you to easily combine them with both the most traditional sofas and modern sofas. Available in various sizes and heights, they have a marble top and a steel structure, both to be chosen from various finishes.

## Technical information

---

**Top**  
marble (natural finish or glossy polyester finish)

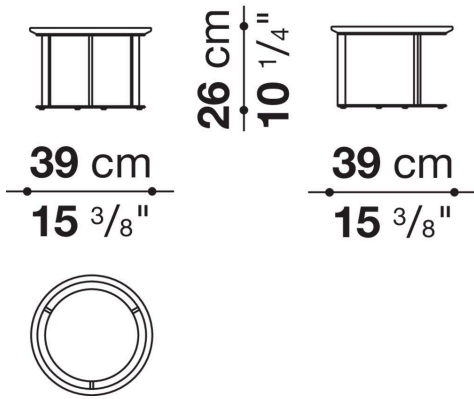
**Top (MTL)**  
solid wood

**Frame**  
steel profiles

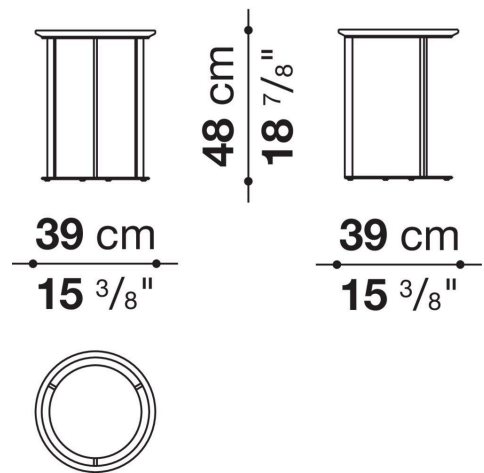
**Ferrules**  
plastic material

# Technical drawings

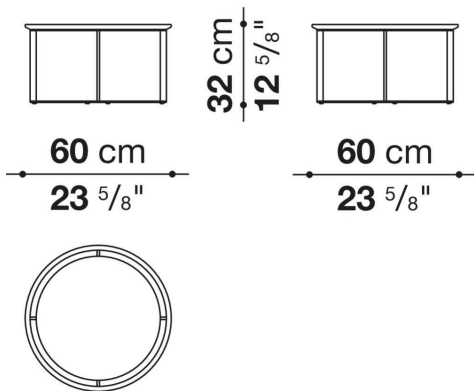
## MTR39B



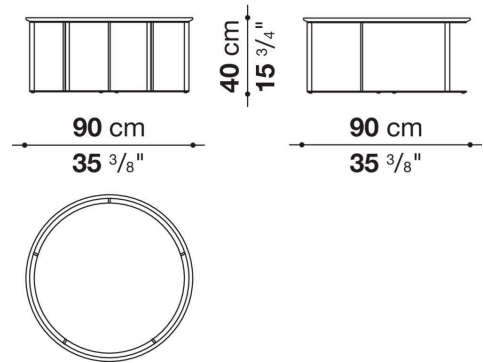
## MTR39A



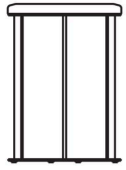
## MTR60



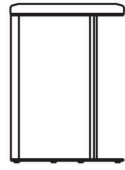
## MTR90



# MTL



49 cm  
19 1/4"



35 cm  
13 3/4"

35 cm  
13 3/4"

