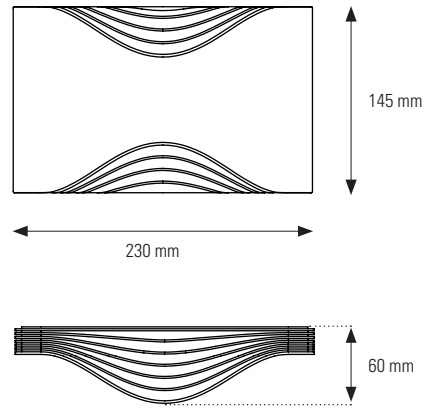


RESPIRO wall

de Philippe Nigro



FICHE TECHNIQUE

TECHNICAL SHEET



APPLIQUE

WALL LAMP

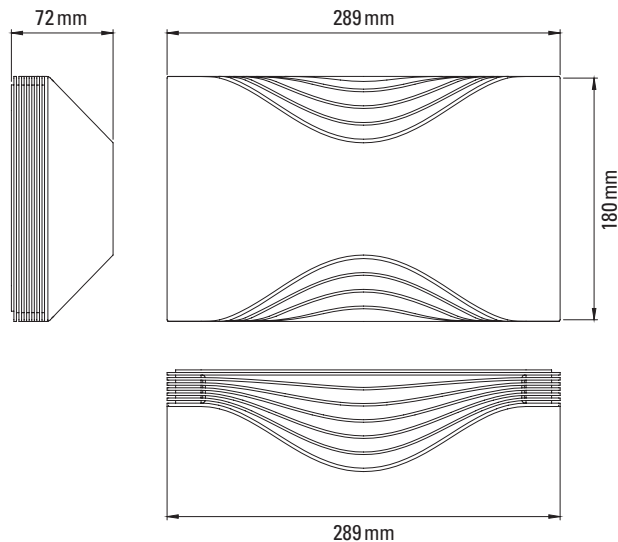
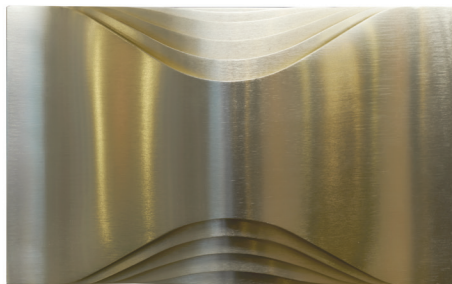
Matériau Material	Aluminium anodisé Anodized aluminum
Poids net Net weight	0,6kg
Embase Base	230 x 145 x 60 mm
IP IP	20

Tension Voltage	230V
Classe Class	1
Watt Watt	10W
Source Source	INTEGRATED LED 2700K
Lumens Lumens output	1000 lm (valeur nominale) 1000 lm (nominal value)
Driver Driver	Driver intégré Dimmable TRIAC Driver supplied TRIAC dimmable
Câble Wire	NA
Interrupteur Switch	NA

FINITIONS FINISHES



Gold-Gold
GOL-GOL



RESPIRO wall L de Philippe Nigro

FICHE TECHNIQUE TECHNICAL SHEET



APPLIQUE

WALL LAMP

Matériau Aluminium anodisé
Material Anodized aluminum

Poids net 1,8kg
Net weight

Emballage 370 x 240 x 125 mm
Packaging

IP 20
IP

Tension 220/240V
Voltage

Classe 1
Class

Watt 14W
Watt

Source INTEGRATED LED 2700K
Source

Lumens 1400 lm (valeur nominale)
Lumens output 1000 lm (nominal value)

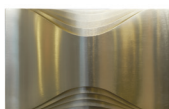
Driver Driver fourni intégré (48 x 48 x 25 mm)
Dimmable TRIAC
Driver Integrated driver supplied (48 x 48 x 25 mm)
TRIAC dimmable

Câble NA
Wire

Interrupteur NA
Switch

Fiches NA
Plug

FINITION FINISH



Gold - Gold
GOL - GOL