

# HUNA

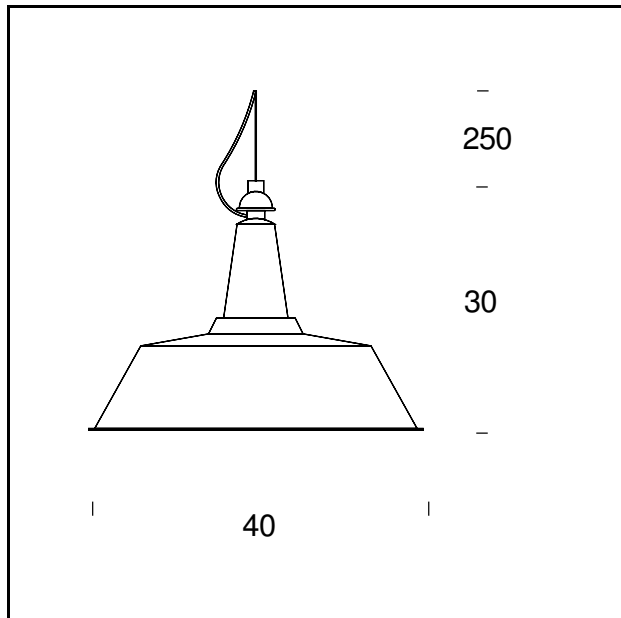
FontanaArte Design Lab, 1965

Still modern today, this suspension lamp in painted metal with white finish inside provides direct, intense illumination.



## TECHNICAL SHEET

Suspension lamp. Metal frame with aluminium AN (RAL 9006 semi-matt) paint or black N (RAL 9005 matt) finish with white interior. Suspension cable in stainless steel. Transparent power cable.



**MODEL NAME:** Huna

**CODE:** 5059..

**DIMENSIONS:**  $\varnothing 40 \times 30 + 250$  cm

**MATERIALS:** Metal

### COLORS

- Aluminum - RAL Code: RAL 9006 Semi Matt
- Black - RAL Code: RAL 9005 Matt

**BULB:** 1×140W (HA) Eco Saver or 1×20W (FL) E27

**POWER CORD:** Stainless steel

### CERTIFICATIONS AND SYMBOLS:

CE IP20

Subject to technical modifications and modifications to content