

ASHANGHAI

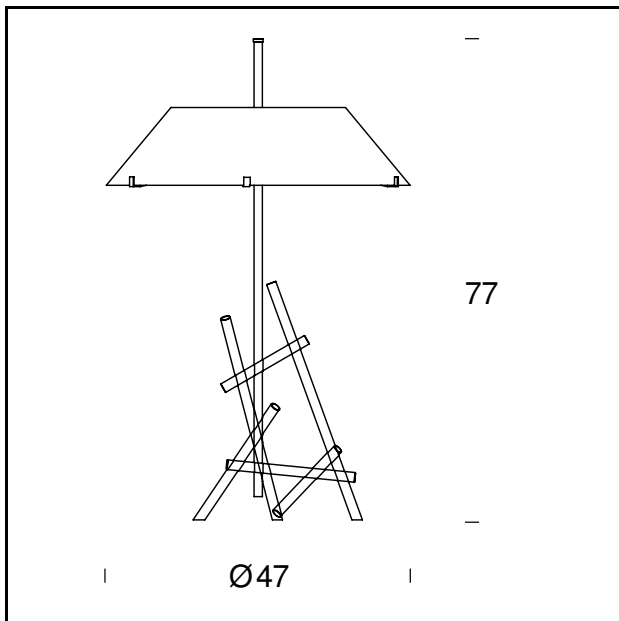
Max Ingrand, 1955

This extremely elegant table lamp was designed by Max Ingrand in 1955, during the period when this French maestro was artistic director at FontanaArte. Joints in chromed brass hold together five tubes in clear borosilicate glass that form a series of intersections supporting the lamp. The top diffuser is in white acid-etched cased blown glass.



TECHNICAL SHEET

Table lamp with dimmer. Frame in chrome-plated brass. Main diffuser in white acid-etched cased blown glass. Top of diffuser in float glass sheet sandblasted on both sides. Base made from transparent borosilicate glass. Fixing points in chrome-plated brass. Transparent power cable, dimmer and plug.



MODEL NAME: Ashanghai

CODE: 4188TR

DIMENSIONS: Ø 47 x 77 cm

MATERIALS: Glass, metal

BULB: 3x42W (HA) E14

PLUG: Transparent

POWER CORD: Transparent

DIMMER: Dimmer

CERTIFICATIONS AND SYMBOLS:

Subject to technical modifications and modifications to content