

## OW150 - Design: Ole Wanscher



### DESCRIPTION

Many of Ole Wanscher's designs have become collector's items due to their timelessness and beautiful finish. His OW150 daybed is no exception. The mattress almost floats on the straight legs finished with fine details. The delicate but strong frame holds the cotton webbing that supports the mattress.

The comfortable mattress is available in either fabric or leather.

**Designed by Ole Wanscher.**

---

### THE DESIGNER

**Ole Wanscher** (1903-1985), was born in Copenhagen in 1903 and was an architect and professor of architecture with furniture designs as his specialty. He came to shape Danish furniture, both as an active designer and as a master teacher. His furniture designs are now considered to be modern classics - sophisticated and functional with an exquisite attention to detail.

Construction and form was of the utmost importance to **Ole Wanscher**, treating furniture design as if it was a branch of architecture. He studied under Kaare Klint at the Royal Danish Academy of Fine Arts and also worked for the master himself from 1924-1927, before becoming an independent architect specializing in furniture design. He later followed in Kaare Klint's footsteps as a professor at The Royal Danish Academy of Fine Arts with a master in furniture design.

In 1958, the Danish newspaper Politiken wrote the following about the outstanding quality and spirit of **Ole Wanscher's** products: 'Owning a Wanscher-chair is an adventure every day, and will be so even several hundred years from now, for this is how long it lasts.'

**Ole Wanscher** created his best known products primarily in the period between the late forties and early sixties. He took great interest in industrially produced high quality furniture and designed several pieces with this particular aspect in mind. It was the familiar philosophy of 'design for everyone'. However, his finest work was made in close collaboration with renowned master cabinetmakers.

Furthermore, while traveling through Egypt and Europe, **Ole Wanscher** studied furniture design. He embraced these impressions, was inspired by them and brought to them his very own sensibility. He also authored several books, including "The History of the Arts of Furniture" and "Five Thousand Years of Furniture".

Characteristic of **Ole Wanscher's** design is a quest for slim dimensions and resilient forms. His chairs often employ both slender and slightly curved armrests, which rise in an elegant tip before continuing directly to the floor; as is the case with his well known **Colonial Chair** (<http://www.youtube.com/embed/25c0eKiSvrw?rel=0>) . Classic and yet singularly modern at the same time.

---

Experience Ole Wanscher's Colonial Chair

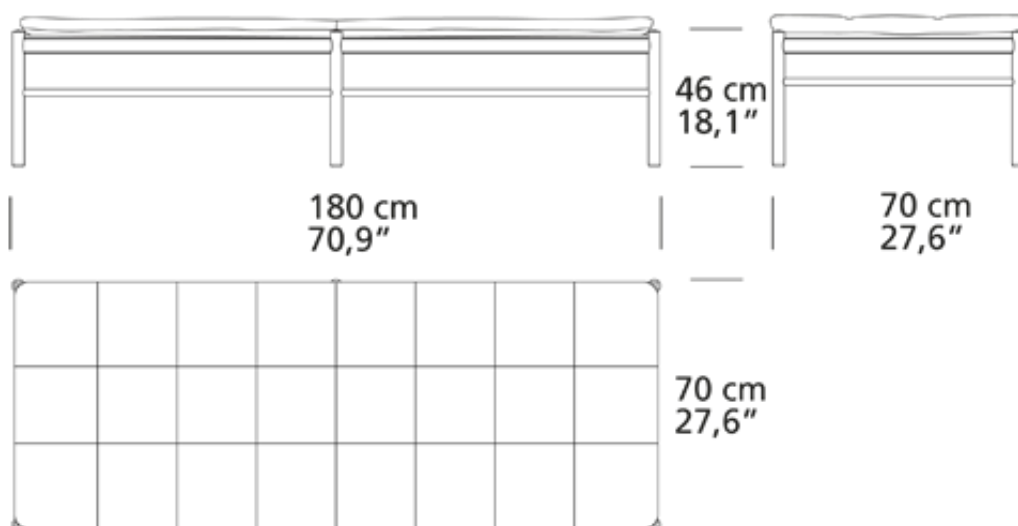
(<http://www.carlhansen.com/products/lounge-chairs/ow149/>)

Watch the craftsmanship going into the making of the Colonial Chair




(<http://www.youtube.com/embed/25c0eKiSvrw?rel=0>)

---

## VARIANTS CHOICES AND DIMENSIONS



## MATERIAL MATRIX

	Soap	White oil	Oil
Oak			

---

## ENVIRONMENTAL INFORMATION

Carl Hansen & Søn and sustainability

People's fascination of the combination of good design and wood, as well as other natural materials, is something that transcends time and fashion. At Carl Hansen & Søn, we believe that this fascination helps to explain the great interest in our furniture, and we take very seriously concerns about the sustainability of the natural resources upon which we depend for our products. That is why we strive every day to improve our production methods, logistics and sales efforts in respect of scarce natural resources.

We buy wood only from sustainably managed forests. All sourced wood meets EUTR 2013 regulations, Danish Forest Legislation and current international certifications. Oak, beech and ash come primarily from Danish forests which are managed according to the principles described in Denmark's National Forest Programme; some of these wood types are also sourced from other similarly managed European forests, or, in the case of walnut and cherry, North American forests.

We use every possible bit of these fine hardwoods in our furniture production. Inevitably, however, there are some scraps, which are then used to produce other products or recycled in district heating plants.

---

## TESTS AND CERTIFICATIONS

All tests and certificates are available on request.

---

## CONTACT INFORMATION

### EUROPE

#### Carl Hansen & Søn A/S

Hylkedamvej 77-79  
DK 5591 Gelsted  
Denmark

Tel: +45 66 12 14 04  
info@carlhansen.com

#### Carl Hansen & Søn Flagship Store

Bredgade 18, 21 & 23

1260 Copenhagen K  
Denmark

Opening Hours:  
Monday-Friday: 11.00-18.00  
Saturday: 10.00 - 15.00

Phone: +45 64 47 23 60  
retail@carlhansen.dk

**Carl Hansen & Søn Showroom Oslo**

Drammensveien 130 B9  
0277 Oslo  
Norway

+47 900 77 087  
hrs@carlhansen.dk

**Carl Hansen & Søn Showroom London**

16A Bowling Green Lane  
London  
EC1R 0BD  
United Kingdom

Tel: +44 (0) 20 7632 7587  
Mail: ukinfo@carlhansen.com

**Carl Hansen & Søn Italy SRL**

Showroom Milan  
Foro Buonaparte 18/A/ Via Arco 4  
20121 Milan  
Tel: +39 02 89011837

Area Manager Southern Europe  
Ottorino Castegnaro  
Tel: +39 340 4266636  
Mail: oc@carlhansen.dk

**AMERICA**

**Carl Hansen & Søn Showroom New York**

251 Park Avenue South  
13th Floor  
New York, NY 10010

Tel: +1 212 242 6736

Customer Service: Northamerica@carlhansen.com

Contract Sales:

Contract contact information US

(<http://www.carlhansen.com/contract-contact-information-usa/>)

Thomas Vagner, President: tv@carlhansen.com

Angela Patsiopoulos, Director of Retail Sales: ap@carlhansen.com

### **Carl Hansen & Søn Showroom Los Angeles**

8745 Washington Boulevard

Studio B

Culver City, CA 90232

Tel.: + 1 (310) 842-8656

### **ASIA/PACIFIC**

#### **Carl Hansen & Søn Japan K.K.**

2F Hills Aoyama, 3-39-9 Jingumae

Shibuya-ku 150-0001

Tokyo, Japan

Tel: +81 3 5413 6771

Fax: +81 3 5413 6772

info@carlhansen.jp

#### **Carl Hansen & Søn Flagship Store Japan**

Aoyama Artworks 1/2F

2-5-10 Jingumae

Shibuya-ku, Tokyo, 150-0001

Japan

+81 3 5413 5421

Opening hours

Mon-Fri: 11 am- 8 pm

Sat. Sun. and

National Holidays: 12 a m - 7pm

#### **Carl Hansen & Søn Asia Pacific Limited**

16th Floor, 202 Centre

202-204 Des Voeux Road West

Hong Kong

Tel: +852 563 10267

Mail: asiainfo@carlhansen.dk

#### **Carl Hansen & Søn China**

570 Yongjia Road, Surpass Court Building 5 Room 501

Xuhui District, Shanghai

China, 200030

Tel: +86 15000390978

Mail: [chinainfo@carlhansen.dk](mailto:chinainfo@carlhansen.dk)