

# WOODEN CHAIR

Marc Newson

cappellini

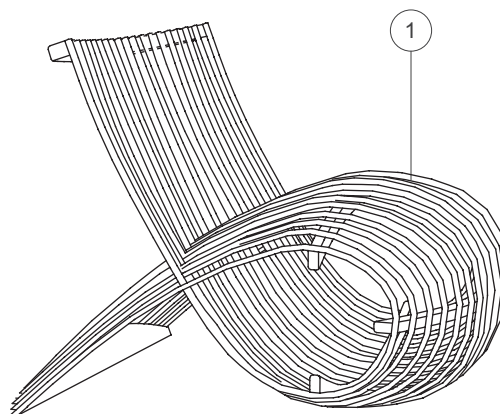


Small armchair manufactured in bent natural beech heartwood.

## Materials used\_

### Structure:

1. Profiles in solid natural beech plywood treated with oil, assembled using steel screws.



## Dimensions\_

MN\_30



82  
32 1/4"

103  
40 1/2"

36  
14"  
70  
27 1/2"

