

# Mirto Outdoor

CHAIRS

2013

Antonio Citterio



## Description

Timeless, resistant and durable, both from a formal and a physical point of view, the Mirto Outdoor chairs express an elegance that transcend time and fashions. They come in a fixed version, with or without armrests, and in a folding version, reinterpreting the classic director's chair. They feature a light aluminium frame and a seat and back in Batyline® Canatex mesh, whose hemp fibre confers a surprisingly natural look compared to the plastics usually used in this sector. The edges are expertly cut, sewn and glued around the profiles to create a minimalist décor. Mirto Outdoor is a complete series of outdoor furniture inclusive of chairs, armchairs, loungers, dining tables and furnishings.

## Technical information

**Frame**

die-cast aluminium and extrusions with polyurethane painting

**Seat and back**

Stige mesh in Batyline® Canatex

**Seat and back (MI59N)**

fabric Laguna or Lamar

**Edge and armrest**

Batyline® Keops

**Armrest (MI59N)**

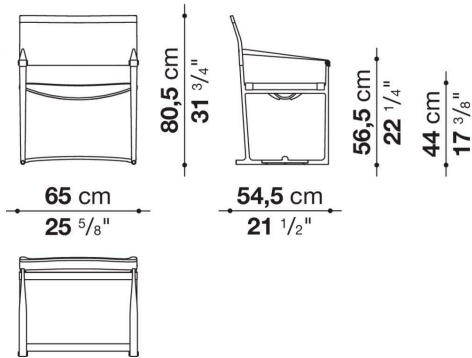
waterproof thick leather

**Ferrules**

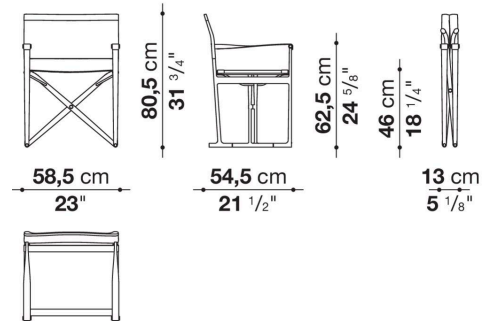
thermoplastic elastomer

# Technical drawings

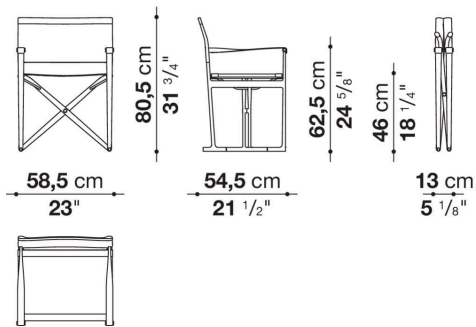
## MI65P



## MI59N



## MI59SR



## MI58S

