

# Fat-Fat & Lady-Fat

SMALL TABLES

2004

Patricia Urquiola



## Description

---

Inspired by the once popular sand-filled ash trays. Hence the creation of service elements made of three variants to be used as convenient surface in various situations. Fat-Fat & Lady-Fat internal compartment can be used as a container by lifting the trays, while the external fabric and leather covers come in a wide range of colours.

## Technical information

---

**Internal frame**

thermoplastic material

**Internal frame upholstery**

flakes of polyurethane and PET, synthetic fibre cover

**Tray**

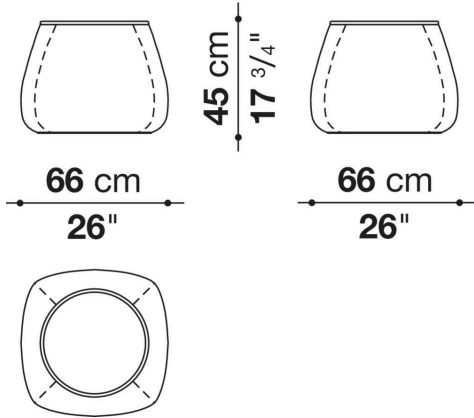
steel sheet

**Cover**

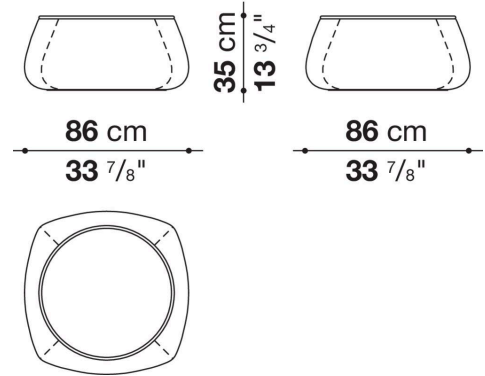
fabric or leather

# Technical drawings

## FF66



## FF86



## LF116

