

# Harry Large

OTTOMAN

2004

Antonio Citterio



## Description

---

An element that can be used almost everywhere, this large round ottoman has seams on the surface that design four sections. It can be used as a seat or as a convenient surface near the sofas. It can also stand alone.

## Technical information

---

**Internal frame**

tubular steel and steel profiles

**Internal frame upholstery**

shaped polyurethane of different density, polyester fibre cover

**Feet**

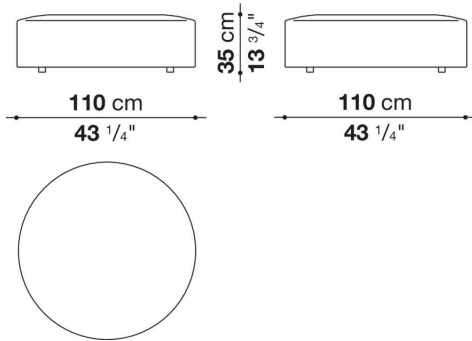
thermoplastic material

**Cover**

fabric or leather

# Technical drawings

**HL110P**



**HL154P**

