



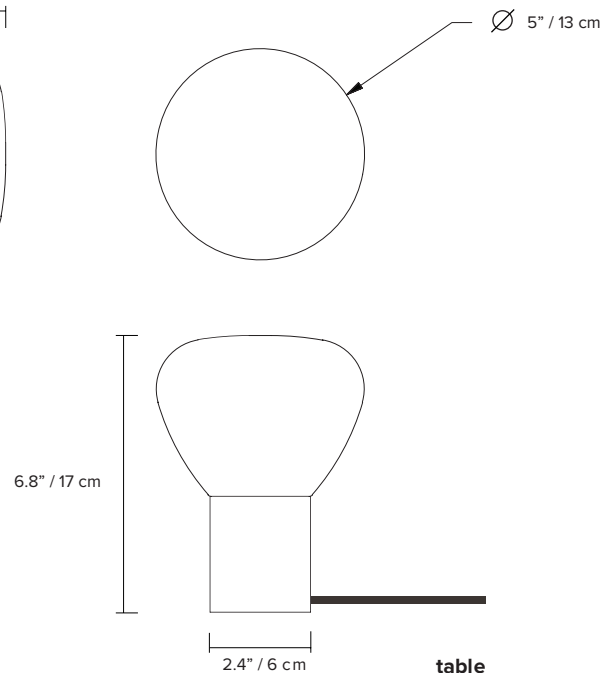
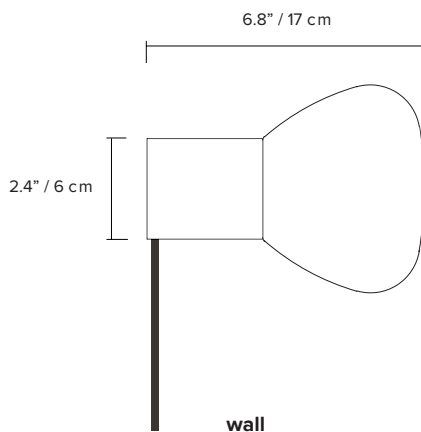




PARC 01

Parc is a collection inspired by childhood imagination and the essentiality of homemade forms — created in collaboration with Swiss designer Adrien Rovero. Evoking the archetype of a flashlight, each lamp of the Parc Collection is a playful reminder of time spent in nature, when a simple tube and piece of string could be used to fashion any number of creations. These makeshift things, at once naive and functional, harness the unique beauty of peeling an object back to its essence.

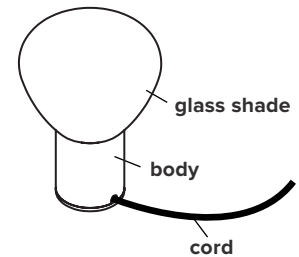
type:	wall and table
construction:	hand blown frosted glass powder coated aluminum body vinyl cord
specifications:	source: LED lamp provided (G9 base) power consumption: 4,5W lumen output: 319lm colour temperature: 2700K included *3000K available upon request colour rendering index: 80 CRI standard * ≥ 90 CRI upon request expected lifetime: 25 000h
control:	refer to our recommended list of dimmer models
cord length:	96" / 244 cm, hand switch at 18"/46 cm from lamp 144" / 366 cm, foot switch at 72"/183 cm from lamp
weight:	2.2lb / 1kg
certifications:	    IP20
warranty:	2 years



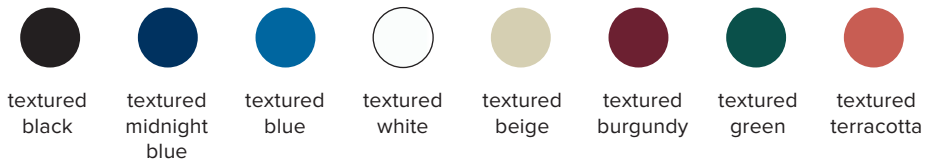
ORDER GUIDE: SKU

COLLECTION	MODEL	BODY	CORD*	SWITCH
PRC	01	BK black	BK black	HD hand
		MB midnight blue	WH white	FT floor
		BE blue		
		WH white		
		BG beige		
		BU burgundy		
		GN green		
		TC terracotta		
PRC	01	BK	BK	HD

= **PRC01BKBKHD**
example



FINISH (*polyester cords also available in all colours upon request, except terracotta)



* cords only available in black or white in Australia

NOTES:

- not protected against liquids (refer to IP20)
- additional charges for modifications or for special orders
- please refer to maintenance sheet on website for cleaning instructions

EU ENERGY LABEL

lambert&fils PARC 01

This luminaire is compatible with bulbs of the energy classes:

A++
A+
A
B
C
D
E

}

This luminaire is sold with a bulb of the energy class : A+

874/2012