

# Shelf

LIVING STORAGE UNITS

2006

Naoto Fukasawa



## Description

Homogeneous white Corian®, thin surfaces and strong geometrical features make the bookcases Shelf exclusive items, important presences that are also almost immaterial. Available in four sizes, of which one is designed for wall mounting. The other three can be placed even at the centre of the room as partition or screen.

## Technical information

### Frame

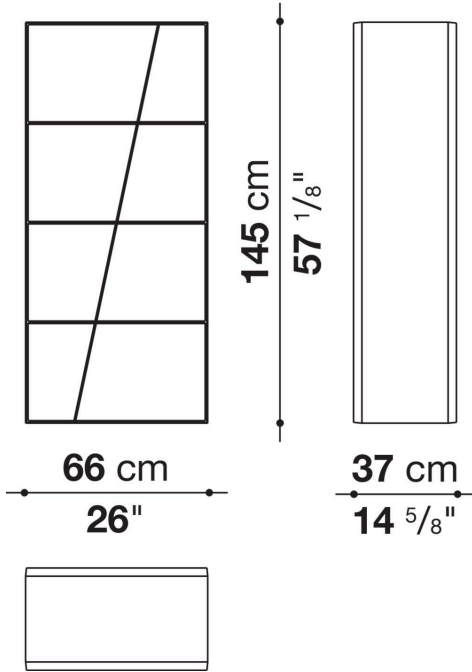
DuPont™ Corian® (acrylic material)

### Wall fixing brackets (SL180)

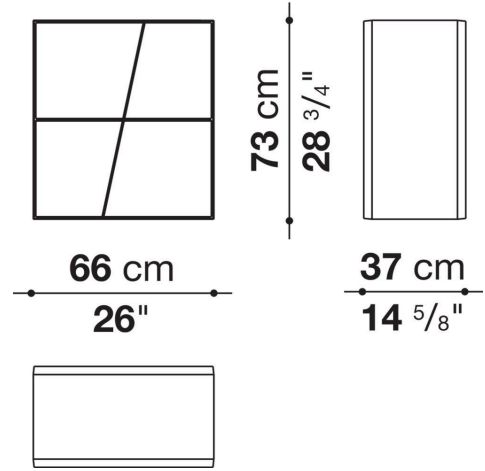
galvanized steel profiles

# Technical drawings

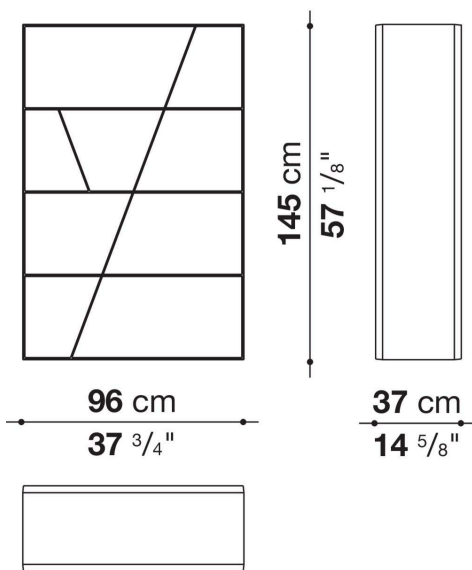
**SL66**



**SL66\_1**



**SL96**



**SL180**

