

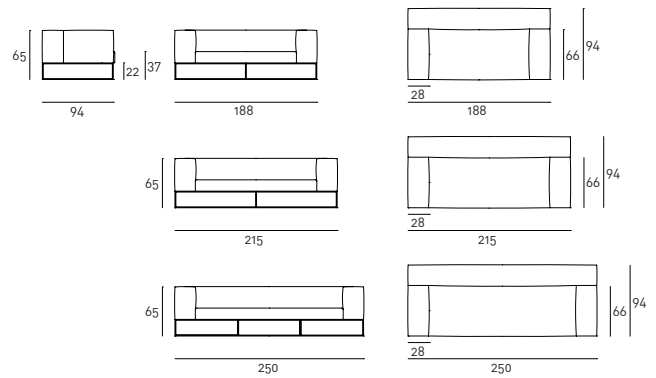
Ile Club

design Piero Lissoni

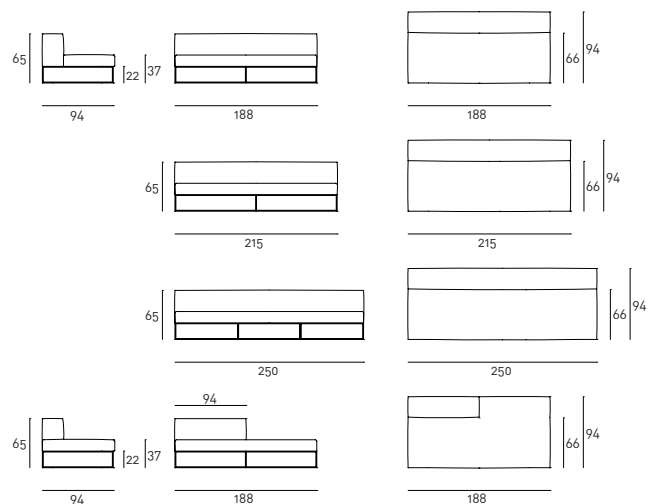
Elements with different dimensions with armrest and back structure in double-paneled poplar and pine. Seat chassis in lacquered steel with coated rubber elastic straps. Frame and seat cushion padding in differentiated density polyurethane foam and Visco-soft "Xtra-pur", covered with a quilted mat in prewashed and sterilized goose down, stitched into separate compartments, or covered with acrylic fibre layers. Under seat panel in thermo bounded rigid wadding, 100% polyester. AISI 304 stainless steel base with matt satin-finish. Fabric or leather upholstery, both fully removable by zippers and Velcro fastenings. On request quilted seat cushions available, non-removable leather upholstery. Seat depth 66cm.



Sofas



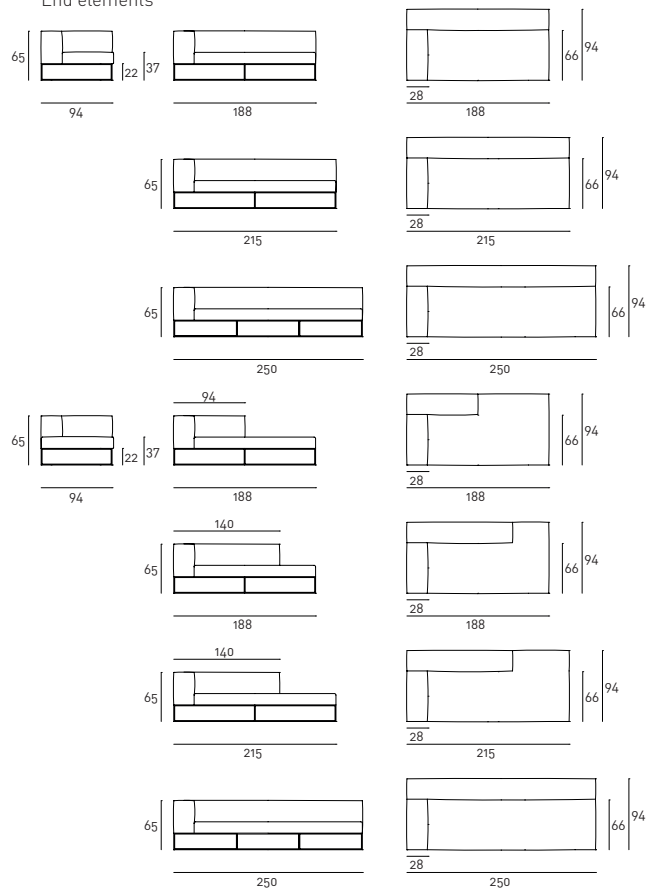
Elements without armrests



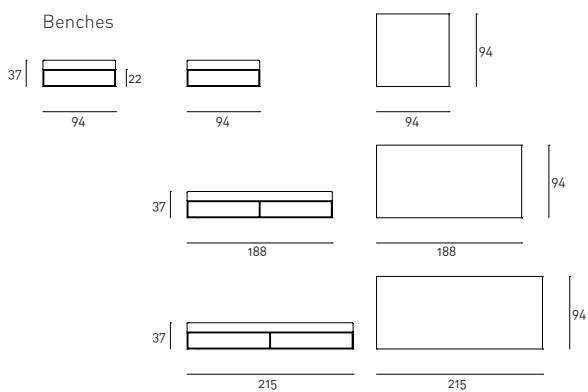
Ile Club

design Piero Lissoni

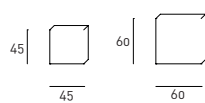
End elements



Benches



Cushions



Quilted cushions

