

HI PAD STOOL

Jasper Morrison



cappellini



Stool with covered wooden seat, with base in stainless steel. Fixed cover in fabrics and leathers of the collection.

Used materials

Seat:

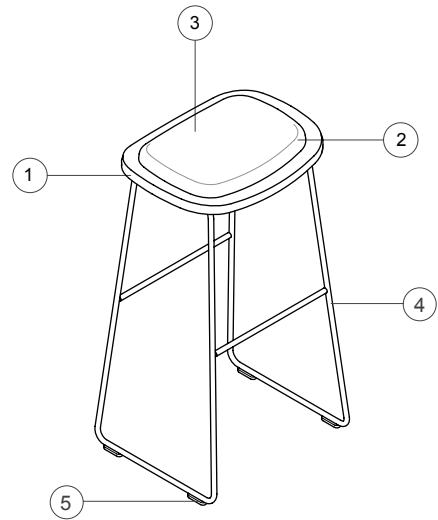
1. Shell in curved beech plywood
2. Multi-density polyurethane foam
3. Cover in fabric or leather

Structure:

4. Base in satin stainless steel or matt varnished in white or anthracite

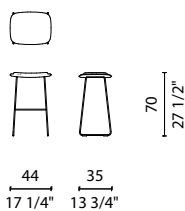
Feet:

5. Grey polypropylene

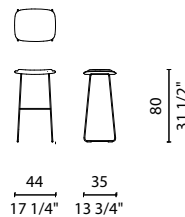


Dimensions

HP_11



HP_12



HP_13

